

DB52

PARTS LIST

For The Supply Of Spare Parts Contact Your Nearest **DOWDESWELL** Dealer.

For Details Of Dealers In Your Area and/or Technical Information Contact:

DOWDESWELL (NORFOLK) LTD
MENDHAM LANE
HARLESTON
NORFOLK
IP20 9DP

OFFICE TEL: 01379 852111
FAX: 01379 854472

SPARES TEL: 01379 853115/6
FAX: 01379 852067
EMAIL: parts@dowdeswell-norfolk.co.uk

352 Parts List

POWER UNIT – PAGE 9

CLUTCH CONTROL ASSEMBLY – PAGE 11

**BACKPLATE, CHAINCASE, WHEEL AND
ROTOR DRIVE – PAGE 13**

GEARBOX ASSEMBLY – PAGE 15

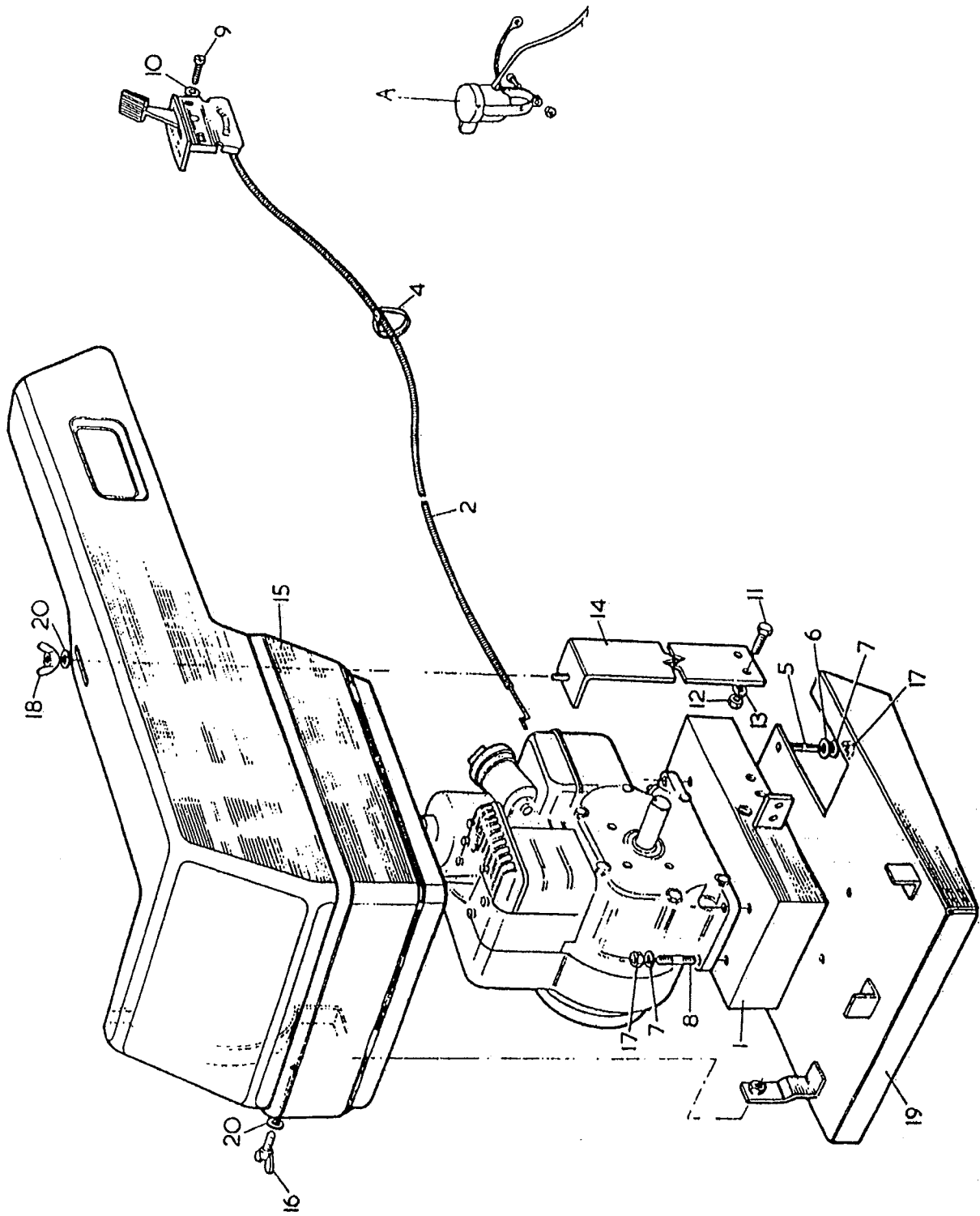
**HANDLEBAR, ROTOR AND
ROTOR SHIELD ASSEMBLY – PAGE 17**

**WHEELS UNIT AND REVERSE LOCK ASSEMBLY
– PAGE 19**

**TOOLBAR UNIT, PLOUGH OR TRAILER HITCH
BRACKET ASSEMBLY – PAGE 21**

**FURROWER ASSEMBLY, SIDE SHIELD KIT, SKID
TINE ASSEMBLY AND LABELS – PAGE 23**

POWER UNIT



POWER UNIT

Illus. No	Part Number	Description	Qty	Bulletin/Note	Illus. No	Part Number	Description	Qty	Bulletin/Note
1	58451	BASEPLATE							
2	58457	LEVER/CABLE ASSEMBLY c/w gate							
3	58461	THROTTLE CONTROL GATE							
4	207027180	CABLE TIE							
5	58422	STUD							
6	108051015	WASHER (5/16) FLAT							
7	108050945	WASHER (5/16) SPRING							
8	58426	STUD							
9	103902065	SETSCREW-BA (2 x 1) CH.HD.							
10	108030540	WASHER (3/16) SPRING							
11	101305060	SETSCREW-UNF (5/16 x 3/4)							
12	107205010	NUT-UNC (5/16)							
13	108050945	WASHER (5/16) SPRING							
14	58391	FAIRING SUPPORT							
15	58446	ENGINE COWL						1	
	58454	FAIRING SUPPORT						1	
16	64443	PIVOT BOLT							
17	107205010	NUT-UNC (5/16)							
18	107205065	WING NUT-UNC (5/16)							
19	58357	BUMPER							
20	108051015	WASHER (5/16) FLAT							

Illus. No.	Part Number	Description	No. off	Bulletin	Bin No.
CLUTCH CONTROL ASSEMBLY					
—	58353	Clutch control assembly	1		
		Includes illus. nos. 21—75 inc.			
21	108040840	Upper belt guide	1		
22	108040910	Spring washer 1/4" dia.	2		
23	107204010	Flat washer 1/4" dia.	2		
24	101404060	Full nut 1/4" UNC	2		
25	58388	Setscrew 1/4" UNC x 3/4" long.	2		
26	101205060	Engine bracket	1		
27	108050940	Setscrew 5/16" UNF x 3/4" long	2		
28	58356	Spring washer 5/16" dia.	2		
		Engine pulley assembly	1		
		includes:-			
29	58389	Engine pulley	1		
30	204065011	Taper lock bush (ref. 1008)	1		
31	58427	Key	1		
32	58385	Lower belt guide	1		
33	101404060	Setscrew 1/4" UNC x 3/4" long	2		
34	107204010	Full nut 1/4" UNC	2		
35	108040910	Flat washer 1/4" dia.	2		
36	108040840	Spring washer 1/4" dia.	2		
37	58387	Cam plate	1		
38	58377	Cam pivot	1		
39	107208135	Selflock nut 1/2" UNC	1		
40	108081610	Flat washer 1/2" dia.	1		
41	58374	Arm	1		
42	108061140	Spring washer 3/8" dia.	2		
43	101406100	Setscrew 3/8" UNC x 1 1/4" long	2		
44	58378	Rod arm	1		
45	107208135	Selflock nut 1/2" UNC	1		
46	108081610	Flat washer 1/2" dia.	1		
47	251228081	Bearing 12 i/d x 28 o/d x 8mm wide	1		
48	107206010	Full nut 3/8" UNC	1		
49	108061210	Flat washer 3/8" dia.	1		
50	108061140	Spring washer 3/8" dia.	1		
51	204065010	Flat idler pulley	1		
52	58398	Special bolt	1		
53	107206010	Full nut 3/8" UNC	1		
54	108061210	Flat washer 3/8" dia.	2		
55	108061140	Spring washer 3/8" dia.	1		
56	208010050	Split pin 1/16" dia x 5/8" long	1		
57	58424	Lower clutch rod	1		
58	107105020	Locknut 5/16" UNF	1		
59	108050940	Spring washer 5/16" dia.	1		
60	107105010	Full nut 5/16" UNF	1		

Illus. No.	Part Number	Description	No. off	Bulletin	Bin No.
61	207004370	Ball joint	1		
62	208010050	Split pin 1/16" dia x 5/8" long	1		
63	101206300	Bolt 3/8" UNC x 3 1/4" long	1		
64	107206175	Selflock nut 3/8" UNC	1		
65	108061210	Flat washer 3/8" dia.	1		
66	58382	Linkage arm	1		
67	58384	Upper clutch rod	1		
68	107105020	Locknut 5/16" UNF	1		
69	58381	Adjuster boss	1		
70	58390	Special rivet	1		
71	208010040	Split pin 1/16" dia. x 1/2" long	1		
72	101204130	Bolt 1/4" UNC x 1 5/8" long	1		
73	108040910	Flat washer 1/4" dia.	3		
74	107204030	Self lock nut 1/4" UNC	1		
75	58368	Clutch lever	1		
76	204050320	Vee belt	1		
77	108051010	Flat washer 5/16" dia.	2		
		78-79 Not allocated			

From 17.5-89 SERIAL No 156

CHANGED TO 1 X 58474 PULLEY WIA

1 X 101305075 S/S CREW 5/16 UNF x 7/8

1 X 108050945 S/WASHER 5/16

1 X 208109320 BOLT SCREW

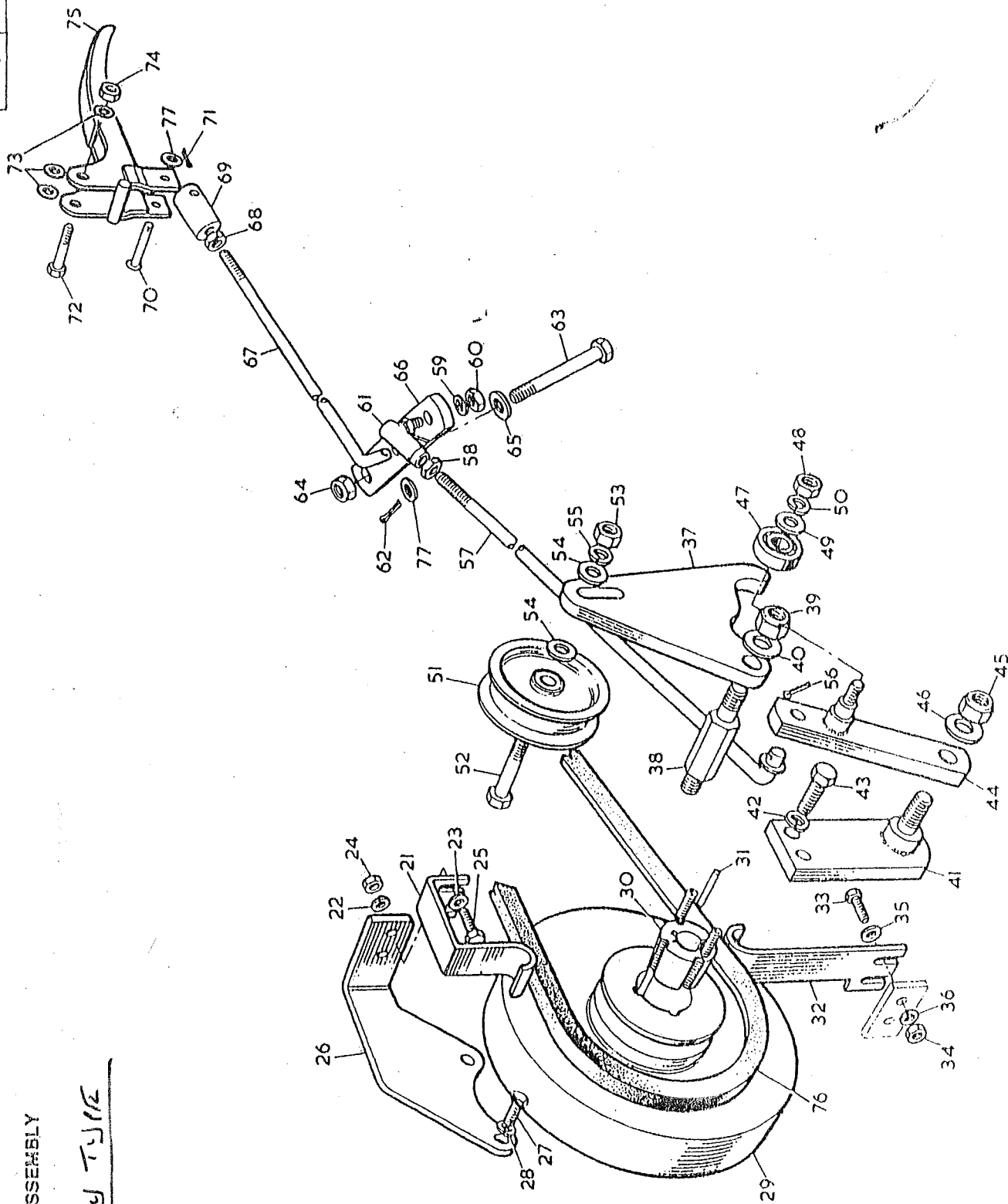
TAPER LOCK BUSH NOT USED.
ABOVE PULLEY S/N 847 CUT.

352 Paris List

CLUTCH CONTROL ASSEMBLY

TRUCK TYRE

					10
--	--	--	--	--	----

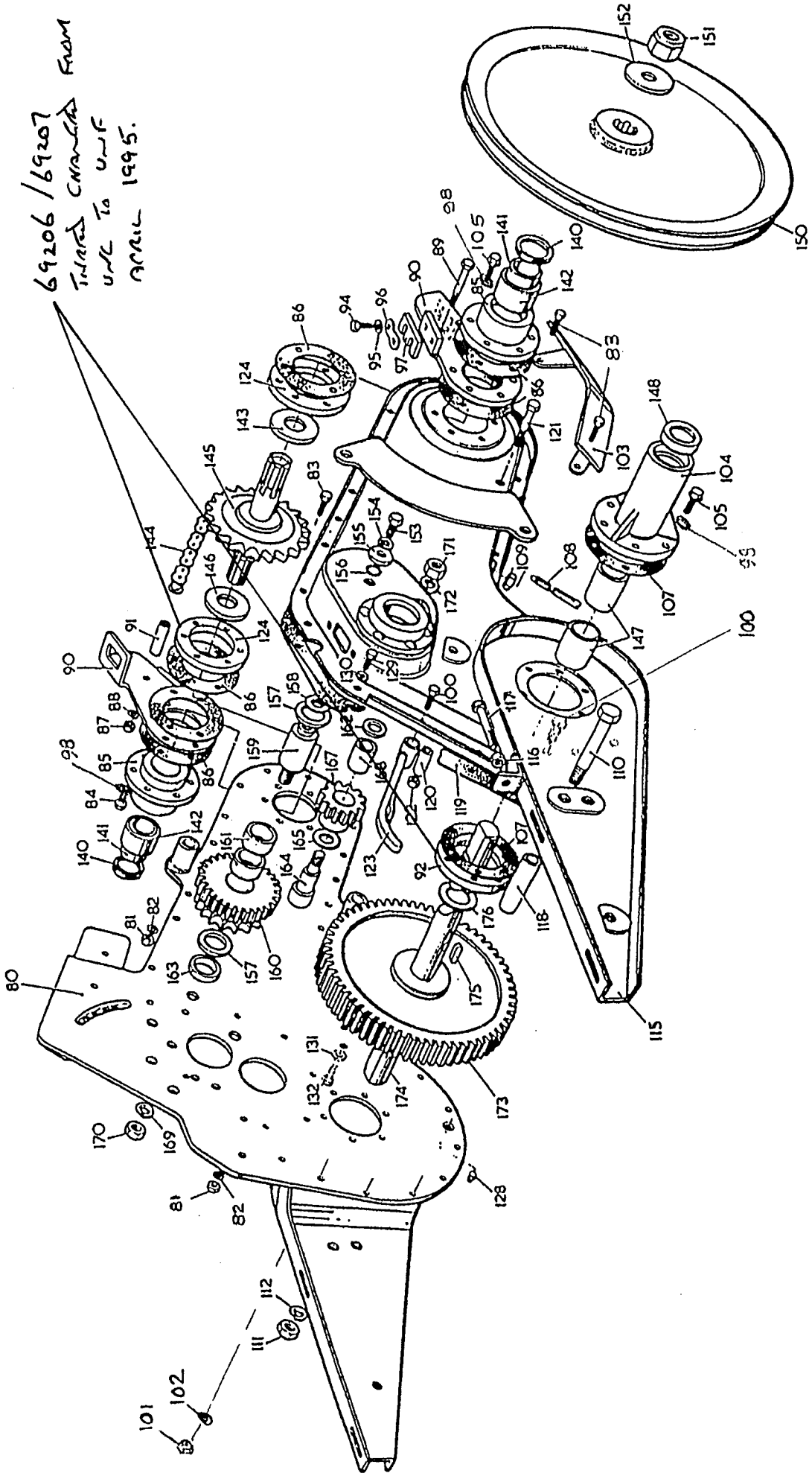


Ill. No.	Number	Description	No. off	Bulletin	Bin No.	Illus. No.	Part Number	ion	No. off	Bl	Bin No.
POWER UNIT											
1	58451	Engine Baseplate	1								
2	58457	Throttle lever and cable	1								
3	58461	THROTTLE GATE	1								
4	207027180	Cable tie	2								
5	58422	Stud	4								
6	108051015	Flat washer 5/16" dia.	4								
7	108050945	Spring washer 5/16" dia.	4								
8	58426	Engine stud	8								
9	103902075	Setscrew cheese head 2BA x 7/16" long	4								
10	108020545	Spring washer 3/16" dia.	2								
11	101305060	Setscrew 5/16" UNC x 3/4"	2								
12	107205010	Nut 5/16" UNC	2								
13	108050940	Spring washer 5/16" dia.	2								
14	58391	Fairing support	1								
15	58394	Fairing moulding	1								
16	64443	Pivot bolt	1								
17	107205010	Nut 5/16" UNC	8								
18	107205065	Wing nut 5/16" UNC	1								
19	58357	Bumper including bracket	1								
20	108051015	Flat washer 5/16" dia.	2								
A	207005100	SWITCH	1								
	207017326	TERMINAL	1								
	207017327	TERMINAL	1								
	207008300	CABLE (14/0.50 x 1.5m)	1								
	301406105	SCREW (M6 x 10)	1								
	103102065	SCREW (2.0 x 3/4)	1								
	108030615	FLAT WASHER (3/16 in)	1								
	107902015	NUT (2.0)	1								
	205035490	GRANULET	1								
	101405145	5/16 UNC x 1 3/4 Bolt	4								
	58450	CAMP	2								

MAG. OIL BOTAL FILTER
 K12-00 AS
 + 10% K13.200
 K11-00-80
 K1-4-44

FROM IT-008 USE 103502085 2.5m x 1"
 USE 58443 58454 64443

69206/69207
 TURNS CHANGED FROM
 USE TO USE
 APRIL 1995.



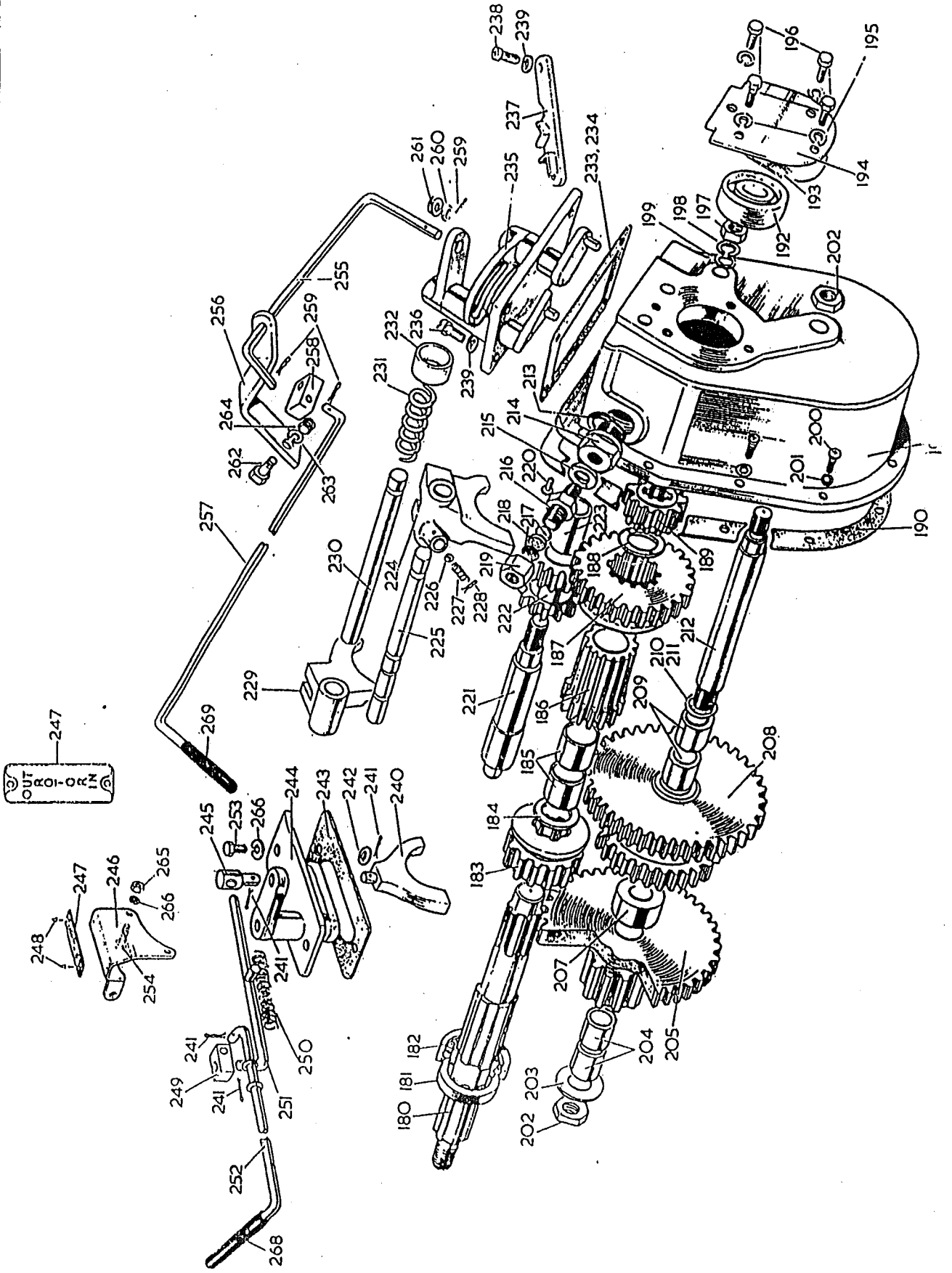
352 Parts List

BACKPLATE, CHAIN CASE,
 WHEEL AND ROTOR DRIVE

Illus. No.	Number	Description	No. off	Bin No.	Bulletin	Bin No.
BACKPLATE AND CHAIN CASE						
80	58351	Transmission Unit	1			
81	66592	Including illus. no. 80-124 & 128-252 inc.	1			
82	107104015	Backplate	24			
83	108040845	Nut 1/4" UNF	24			
84	101304075	Spring washer 1/4" dia.	24			
85	152304075	Setscrew 1/4" UNF x 7/8" long	12			
86	68714	Setscrew 1/4" UNF x 7/8" long. Torlock Patch	2			
87	69371	Rotor bearing housing	6			
88	107204010	Gasket - Rotor bearing housing	1			
89	108040840	Nut 1/4" UNC	1			
90	101204160	Spring washer 1/4" dia.	1			
91	66638	Bolt 1/4" UNC x 2" long	2			
92	64391	Depth skid bracket	1			
93	69207	Skid bracket spacer	2			
94	101304050	Mounting plate - axle bearing housing	4			
95	108040830	Setscrew 1/4" UNF x 5/8" long	4			
96	830	Shakeproof washer 1/4" dia.	2			
97	64496	Keeper plate	2			
98	108040845	Weed cutter	24			
99	Not allocated	Spring Washer 1/4" DIA				
100	101404065	Setscrew 1/4" UNF x 3/4" lg.	3			
101	107204015	Nut 1/4" UNF	3			
102	108040845	Spring Washer 1/4" DIA	3			
103	65131	Chaincase skid	1			
104	64330	Axle bearing housing	2			
105	152304065	Setscrew 1/4" UNF x 3/4" lg. Torlock Patch	12			
106	Not allocated	Gasket - axle bearing housing				
107	69370	Adjuster screw	4			
108	67280	Locknut 5/16" UNC	1			
109	107205020	Bolt 1/2" UNF x 3 1/2" long	1			
110	101108280	Nut 1/2" UNF	1			
111	107108010	Spring washer 1/2" dia.	1			
112	108081440	Chainbox	1			
113	Not allocated	Nut 3/8" UNC				
114	Not allocated	Adjusting bolt				
115	66593	Spacer	1			
116	107206015	Chaincase gasket	1			
117	64495	Sleeve	2			
118	64392	Bolt 5/16" UNF x 1 1/4" long	1			
119	64394	Phillidas nut 5/16" UNF	1			
120	67281	Chain tensioner	1			
121	101105140	Mounting plate - rotor bearing housing	2			
122	107105030	Plug 1/8" BSP square head	1			
123	67275	Setscrew 1/4" UNC x 1/2" long	3			
124	69206					
125-127	Not allocated					
128	293031160					
129	101404040					
WHEEL AND ROTOR DRIVE						
130	108040840	Oilseal 1 1/2" i/d x 1 3/4" o/d x 3/16" thick	4			
131	25578	Bearing - Inner race 25 x 30 x 38.5mm	2			
132	101404040	Needle bearing 30 x 37 x 26mm	2			
133-139	Not allocated	Thrust washer	1			
		Chain - endless	1			
		Rotor drive shaft with sprocket	1			
		Thrust washer	1			
		Wrapped bush 1" x 1 1/8" x 1 1/4" long	4			
		Oilseal 1 1/2" i/d x 1" o/d x 3/8"	2			
		Driven pulley	1			
		Selflock nut 1/2" UNC	1			
		Flat washer 1/2" i/d x 1 5/8" o/d x 0.116"	1			
		Setscrew 5/16" UNC x 1/2" long	1			
		Shakeproof washer 5/16" dia.	1			
		Washer	1			
		O' ring 1/8" i/d x 5/8" o/d x 0.103"	1			
		Thrust washer	2			
		Gasket	1			
		Drive sprocket spindle	1			
		Rotor drive sprocket assy.	1			
		includes				
		Rotor drive sprocket	1			
		Wrapped bush 1" i/d x 1 1/8" o/d x 1/2" long	2			
		Thrust washer	1			
		Spacer	1			
		Idler pinion shaft	1			
		Gear spacer	1			
		Rotor idler gear assy.	1			
		includes				
		Rotor idler gear	1			
		Wrapped bush 3/4" i/d x 7/8" o/d x 1" long	1			
		Spring washer 1/2" dia.	1			
		Nut 1/2" UNC	1			
		Nut 7/16" UNC	1			
		Spring washer 7/16" dia.	1			
		Wheel axle sub assy.	1			
		includes				
		Bull gear	1			
		Axle	1			
		Key	2			
		Wearing washer	2			
173	64343					
174	64344					
175	64497					
176	14224					
177-179	Not allocated					

352 Parts List

GEARBOX



Illus. No.	Number	Description	No. off	Bulletin	Bin No.	Illus. No.	Part Number	Revision	No. off	Bulletin	Bin No.
		GEARBOX									
		Gearbox sub assy including illus. nos. except parts marked *									
180	34307	Drive shaft	1			224	64322	Travel selector	1		
181	64315	"Oilseal 1 1/2" x 1 1/4" x 1 1/4"	1			225	64325	Travel selector slide bar	1		
182	261511021	"Bearing 3/4" i/d x 2" o/d x 1 1/16" wide	1			226	250001801	Ball 3/16" dia.	1		
183	250720071	Selector gear - Rotor	1			227	64471	Spring	1		
184	64316	Gear spacer	1			228	208010040	Split pin 1/16" dia. x 1/2" long	1		
185	64320	Intermediate drive gear assy. includes:-	1			229	64323	Reverse selector	1		
186	250709073	Wrapped bush 3/4" i/d x 7/8" o/d x 3/4" long	2			230	64324	Reverse selector slide bar	1		
187	64361	Drive gear	1			231	64472	Reverse selector spring	1		
188	64319	Drive shaft gear 27T	1			232	58237	Overrun stop sleeve	1		
189	64317	Thrust washer	1			233	58231	* Cover gasket (.030")	1		
190	64321	Drive shaft gear 13T	1			234	64379	* Gearbox cover (including selectors)	1		
191	64395	* Gearbox gasket	1			235	66356	Setscrew 1/4" UNC x 5/8" long, cheese head	2		
192	64308	Gearbox	1			236	103404050	* Selector gate	1		
193	250616041	Bearing 5/8" i/d x 1 9/16" o/d x 7/16" wide	1			237	65750	Capscrew 1/4" UNC x 3/4" long	2		
194	64459	Gasket	1			238	106404060	Spring washer 1/4" dia.	4		
195	108040840	Bearing and slide bar cover	1			239	108040840	Rotor selector control assy. including	1		
196	101404040	Spring washer 1/4" dia.	4			240	64390	Rotor selector	1		
197	107206020	Setscrew 1/4" UNC x 1/2" long	4			241	208010040	Split pin 1/16" dia. x 1/2" long	4		
198	108061140	* Nut 3/8" UNC	1			242	108040910	Flat washer 1/4" dia.	1		
199	108061210	Spring washer 3/8" dia.	2			243	65499	Gasket	1		
200	116404040	Flat washer 3/8" dia.	2			244	68793	Rotor selector	1		
201	108040890	* Setscrew 1/4" UNC x 1/2" long - Phillips	6			245	68910	Trunnion	1		
202	107206020	* Shakeproof washer 1/4" dia.	6				58236	Selector gate rivet assy. with	1		
203	67264	Nut 3/8" UNC	2			245	68798	Selector gate	1		
204	67260	Thrust washer	1			247	58235	Indicator plate	1		
205	250607063	Final drive pinion assy includes	1			248	208032060	Rivet 1/8" dia. x 0.23" long	1		
206	Not allocated	Wrapped bush 5/8" i/d x 2 3/32" o/d x 5/8" long	2			249	20545	Trunnion block	1		
207	67262	Final drive pinion	1			250	68909	Rotor selector spring	1		
208	67258	Gear spacer	1			251	68795	Rotor selector rod	1		
209	67259	Cluster gear assy includes	1			252	58217	Rotor control rod - Not applicable when reverse lock 58209 is fitted	1		
210	250607063	Cluster gear	1			253	101404040	Setscrew 1/4" UNC x 1/2" long	2		
211	67495	Wrapped bush 5/8" x 1 1/4" x 2 3/32" o/d x 5/8" long	2			254	101404060	Setscrew 1/4" UNC x 3/4" long	2		
212	67494	Shim (0.015")	1			255	65507	Lower control rod	1		
213	67263	Shim (0.010")	1			256	65439	Control rod bracket	1		
214	202029040	Intermediate shaft	1			257	69183	Upper control rod	1		
215	66274	Washer 1/2" BSP	1			258	65506	Gear control trunnion	1		
216	66193	Plug	1			259	208010050	Split pin 1/16" dia. x 5/8" long	2		
217	10580	Gearbox Breather assy. includes	1			260	108051015	Flat washer 5/16" dia.	1		
218	8312	Washer	1			261	108050950	Spring washer 5/16" dia. double coil	1		
219	23646	Brass union	1			262	101304080	Setscrew 1/4" UNF x 1" long	1		
220	66195	Gauze filter	2			263	108040840	Spring washer 1/4" dia.	1		
221	202041020	Breather pad	1			264	107104010	Spring washer 1/4" dia.	1		
222	143405030	Nut 1/4" BSP	1			265	107204010	Nut 1/4" UNF	2		
223	64334	* Setscrew 5/16" UNC x 3/8" long shallow csk. hd.	3			266	108040840	Spring washer 1/4" dia.	4		
224	64362	Reverse spindle	1			267	Not allocated	Sleeve - rotor control rod	1		
225	64363	Reverse gear assy. includes	1			268	207001290	Sleeve - upper control rod (gear selection)	1		
226	250607103	Reverse gear	1			269	207001300		1		
227		Wrapped bush 5/8" i/d x 2 3/32" o/d x 1" long	1								

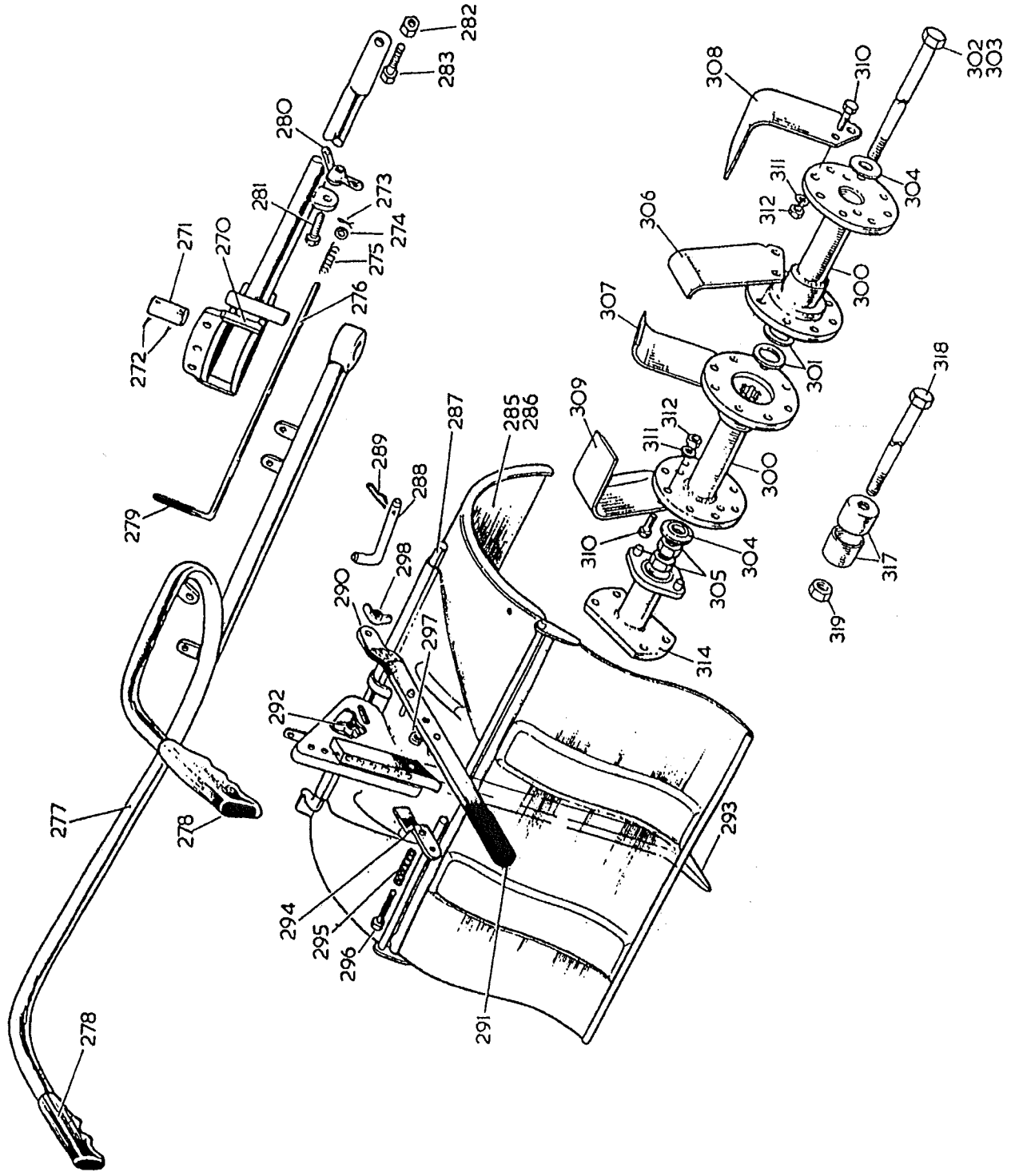
58483 Rotor Selector W/Assy
58479 Reverse Interlock Rod W/Assy
308080010 Flat Washer
208010060 Split Pin

352 Parts List

352 Parts List

HANDLEBAR, ROTOR AND
ROTOR SHIELD

						16
--	--	--	--	--	--	----

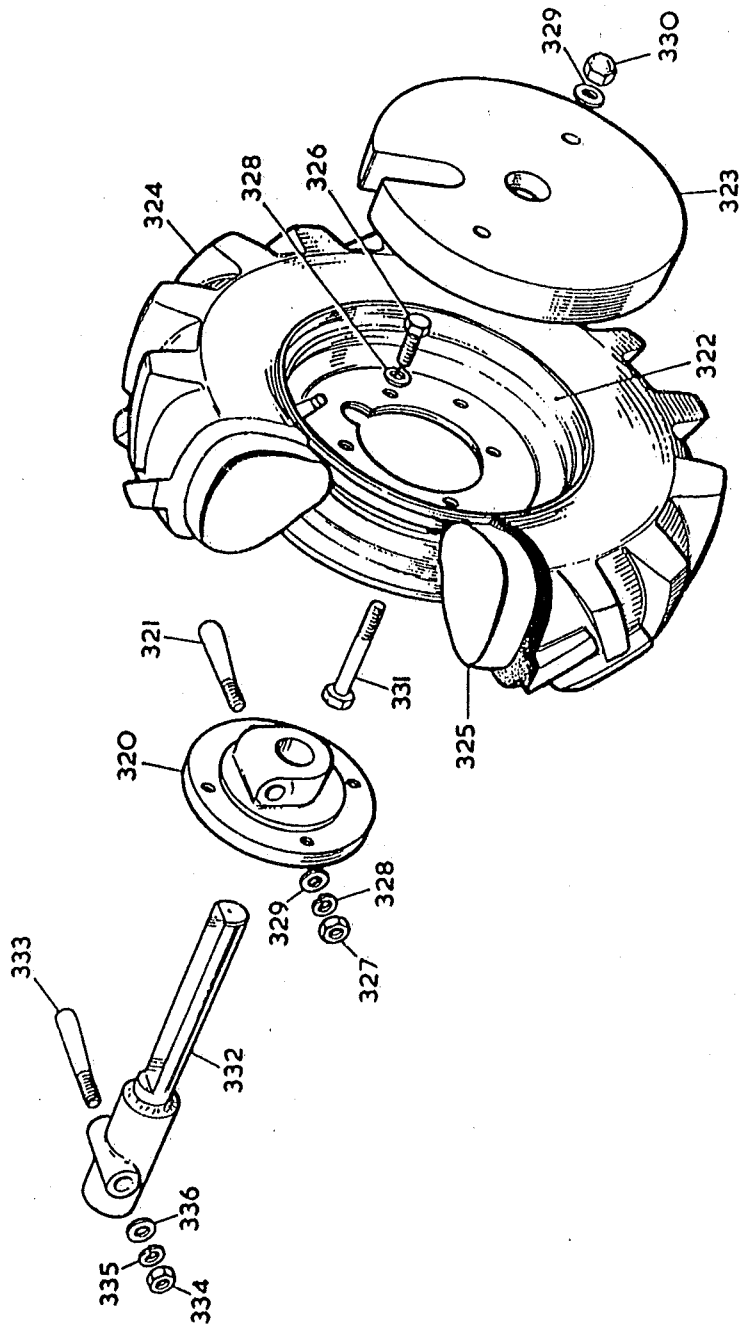
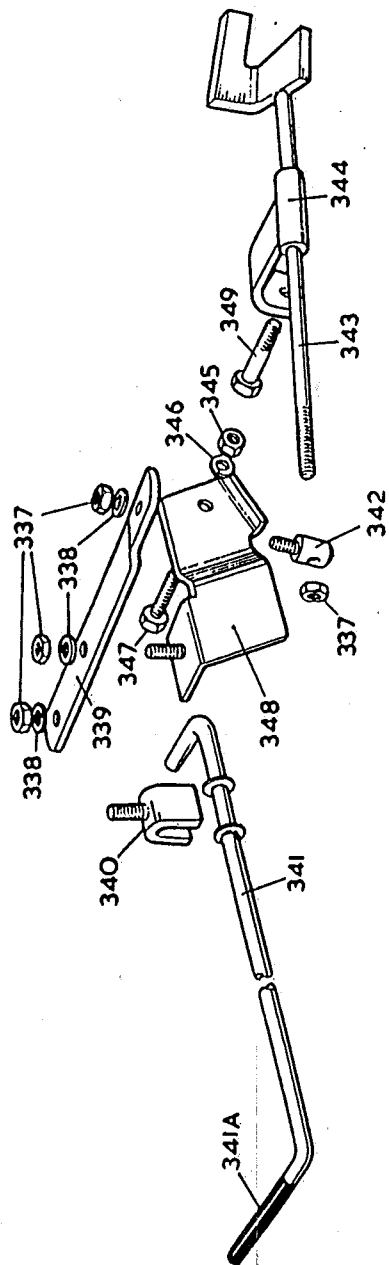


Illus. No.	Number	Description	No. off	Bin No.	Bulletin	Bin No.	Illus. No.	Part Number	ption	No. off 16" & 23" only	No. off 16" only	No. off 23" only	Bui	Bin No.
HANDLEBAR ASSEMBLY														
—	58354	Swinging handlebar assy. includes illus. nos. 270-277 inc. together with illus. nos. 255-259	1				306	64486	Centre blade L.H.	2				
270	58366	Handlebar mounting	1				307	64485	Centre blade R.H.	2				
271	65433	Pin	1				308	9896	Blade L.H.	4	6			
272	208010200	Split pin 1/8" dia. x 1" long	1				309	9897	Blade R.H.	4	6			
273	208010130	Split pin 3/32" dia. x 3/4" long	2				—	14144	Blade bolt assy pack of 10 (2/blade) includes	As req'd.				
274	108061210	Flat washer 3/8" dia.	1				310	9846	Special bolt	24	32			
275	58234	Spring	1				311	108050940	Spring washer 5/16" dia.	24	32			
276	65430	Release handle	1				312	107105010	Nut 3/16" UNF	24	32			
277	58364	Handlebar stem	1				313	Not allocated	Rotor extension	—	2			
278	207001350	Pistol grip	2				314	64451	Rotor extension kit (to convert 16" to 23") includes					
279	207001310	Sleeve - Handlebar release handle	1				286	64455	Rotor shield 23"	1				
280	207001930	Wingnut 3/8" UNF	1				303	64450	Rotor draw bolt - 23"	1				
281	101306100	Bolt 3/8" UNF x 1 1/4" long	1				308	9896	Blade L.H.	2				
282	107106030	Seallock nut 3/8" UNF	1				309	9897	Blade R.H.	2				
283	101306080	Bolt 3/8" UNF x 1" long	1				314	64451	Rotor extension	2				
284	Not allocated		1				310-312 inc	14144	Blade bolt assy. pack of 10 (2/blade)	1 pack				
ROTOR AND ROTOR SHIELD														
—	64303	Rotor Unit including illus. nos. 285-314 inc.	1				316	58423	Dust cap kit (used when rotors removed) includes	2				
285	64431	Rotor shield 16"	1				317	65475	Dust cap	1				
286	64455	Rotor shield 23"	1				318	65476	Drawbolt	1				
287	64439	Shield securing pin	1				319	107105035	Self lock nut 5/16" UNF	1				
288	67284	Shield securing pin	1											
289	67285	Clip pin	1											
290	64440	Depth control handle	1											
291	207001280	Sleeve - depth control handle	1											
292	64443	Depth control handle pivot bolt	1											
293	64446	Depth skid	1											
294	64445	Spring clip	1											
295	20470	Spring	1											
296	101204120	Bolt 1/4" UNC x 1 1/2" long	1											
297	107204010	Nut 1/4" UNC	1											
298	107205060	Wing nut 5/16" UNC	1											
299	Not allocated		1											
300	64420	Rotor	2											
301	64429	Rotor spacer	As req'd.											
302	64427	Rotor draw bolt - 16"	1											
303	64450	Rotor draw bolt - 23"	1											
304	64430	Draw bolt washer	2											
305	107210020	Locknut 5/8" UNC	2											

DWS114 Depth Control Handle Sub-Assy. (Inc Items *)

352 Parts List

WHEELS UNIT AND REVERSE LOCK ASSEMBLY



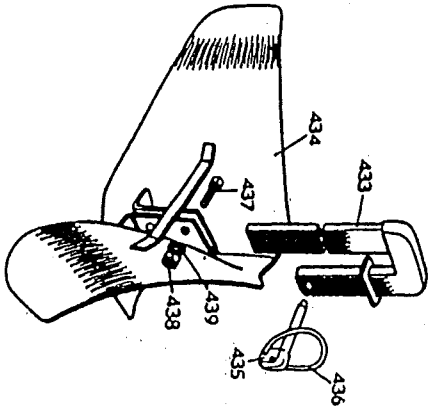
Illus. No.	Part No.	Description	No. off	Bulletin	Bin No.
TOOLBAR UNIT					
-	58415	Toolbar Unit Includes illus. no. 350-390 inc.			
350	58409	Front Toolbar adaptor	1		
351	67589	Rear Toolbar adaptor	1		
-	69189	Toolframe and tools assy.			
-	69190	Tool frame assy. including			
352	69195	Arms & flange	1		
353	69191	Wheel stalk	2		
354	69192	Wheel spindle	2		
355	69193	Wheel	2	58463	72-1-11
356	69194	Crossbar	2		
357	107506010	Nut 3/8" BSF	2		
358	108061140	Spring washer 3/8" dia.	2		
-	17314	Clamp assy. including	11		
359	17312	Clamp	1		
360	101308090	Setscrew 1/2" UNF x 1 1/2" long	1		
360A	107108010	Nut 1/2" UNF	1		
-	69198	Hoe & Stalk Assy.	1		
-	69200	includes Pistol Hoe & Stalk Assy. R.H.	2		
361	69209	Stalk	1		
362	69187	Pistol Hoe R.H.	1		
363	105205110	Bolt cup sq. 5/8" UNC x 1 3/8" long	1		
364	101205110	Bolt 5/8" UNC x 1 3/8" long	1		
365	107205010	Nut 5/8" UNC	2		
366	108050940	Spring washer 5/8" dia.	2		
-	69201	includes Pistol Hoe and Stalk Assy. L.H.	2		
367	69209	Stalk	1		
368	69188	Pistol Hoe L.H.	1		
369	105205110	Bolt cup sq. 5/8" UNC x 1 3/8" long	1		
370	101205110	Bolt 5/8" UNC x 1 3/8" long	1		
371	107205010	Nut 5/8" UNC	2		
372	108050940	Spring washer 5/8" dia.	2		
-	69202	includes Duck - foot hoe and stalk assy.	1	58462	
373	69185	Stalk	1		
374	68765	Duck-foot hoe	1	58429	
375	105206110	Bolt cup sq. 5/8" UNC x 1 3/8" long	1	58428	
376	107206010	Nut 3/8" UNC	1		
377	108061140	Spring washer 3/8" dia.	1		
378	209026290	Point 1/4"	4		
379	208055025	Oval csk. sq. neck bolt 3/8" UNF x 1 3/4" long	4		
380	108061145	Spring washer 3/8" dia.	4		
381	107106015	Nut 3/8" UNF	4		
382	67592	Securing pin	1		
383	7059	Clip pin	1		
384	7060	Clip ring	1		

Illus. No.	Part Number	Description	No. off	Bulletin	Bin No.
385	101406100	Seal 3/8" UNC x 1 1/4" long	2		
386	207001930	Wing nut 3/8" UNF	1		
387	108061140	Spring washer 3/8" dia.	2		
388	64468	Retaining pin assy. includes	1		
389	64469	Pin	1		
390	30869	Spring	1		
-	208010130	Split pin 3/32" dia x 3/4"	1		
PLOUGH OR TRAILER HITCH BRACKET ASSEMBLY					
-	66296	Plough or trailer hitch bracket assy. includes:	1		
391	65517	includes: Trailer hitch	1		
392	101404070	Setscrew 1/4" UNC x 7/8" long	5		
393	101110320	Bolt 5/8" UNF x 4" long	1		
394	107204010	Nut 1/2" UNC	5		
395	107110010	Nut 5/8" UNF	1		
396	108040840	Spring Washer 1/4" dia.	5		
*In addition use 1 1/4" x 5/8" setscrew, washer and nut from those removed from chalnase.					
FRONT WEIGHT ASSEMBLY					
-	58416	Front weight assy. Includes illus. nos. 388-390 together with -	1		
406	58417	Front weight beam	1		
407	66185	Weight	1		
408	101406140	Setscrew 3/8" UNC x 1 3/4" long	1		
409	107206020	Locknut 3/8" UNC	1		
410 & 411	Not allocated				
PLOUGH UNIT					
-	66326	PloUGH Unit	1		
412	66327	includes: Plough beam	1		
413	66332	Plough pivot bracket	1		
414	66339	Plough body assy complete	1		
415-417	Not allocated				
418	10317	Boss	1		
419	66341	Coultér	1		
420	66342	"U" Bolt	1		
421	66343	Clamp plate	1		
422	101406120	Setscrew 3/8" UNC x 1 1/2" long	1		
423	101208140	Bolt 1/2" UNC x 1 1/4" long	1		
424	101408220	Setscrew 1/2" UNC x 2 3/4" long	2		
425	208007230	Straining screw	1		
426	107206010	Plain nut 3/8" UNC	5		
427	107208020	Locknut 1/2" UNC	1		
428	107208030	Phillips nut 1/2" UNC	2		
429	108061140	Spring washer 3/8" dia.	4		
430	108081610	Flat washer 1/2" dia.	3		
431 & 432	Not allocated				

352 Parts List

352 Parts List

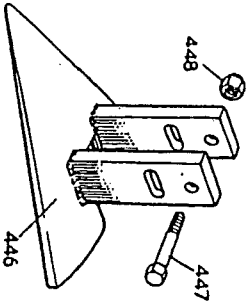
FURROWER ASSEMBLY



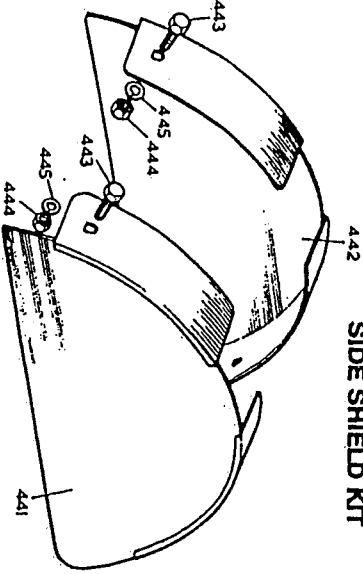
LABELS - 451

				22
--	--	--	--	----

SKID TINE ASSEMBLY



SIDE SHIELD KIT



B
352



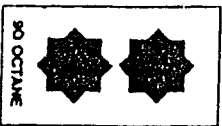
E

WARNING
Beware of
rotating blades.
See there is no
one in direction
of driving.

G

FOR MAINTENANCE SEE
HANDBOOK PROVIDED
WITH THIS MACHINE

F



I

Illustr. No. Number Description No. off Bulletin Bin No.

FURROWER ASSEMBLY

65946	Furrower assy	1
433	Includes	1
65478	Furrower bracket	1
434	Furrower	1
435	Clip pin	1
436	Clip ring	1
437	Set screw 5/16" UNC x 1" long	1
438	Nut 5/16" UNC	1
439	Spring washer 5/16" dia.	1
440	Not allocated	1

SIDE-SHIELD KIT

59918	Side shield kit (Standard on Scandinavian machines)	1
441	Includes	1
65170	Side shield L.H.	1
442	Side shield R.H.	1
443	Set screw 5/16" UNC x 5/8"	4
444	Nut 5/16" UNC	4
445	Spring washer 5/16" dia.	4

SKID TINE ASSEMBLY

68647	Skid line assy	1
446	Includes	1
68488	Skid tine	1
447	Bolt 5/16" UNC x 1 1/2" long	2
448	Phillips nut 5/16" UNC	2
449-450	Not allocated	2

Illustr. Part Number / tion No. off Bin No.

LABELS

451 A	58396	352 Label	Fairing	1
B	64326	Gear Selection Label	Frame	1
C	66414	Maintenance Label	Shield	1
D	27409	Warning Label (English)	Shield	1
E	58421	Octane Decal	Petrol Tank	1

58599 Air Strain Decal
 58403 Fuel Gauge Decal
 27479 Downstroke Decal
 306907 Machine No Plate
 58472 Fuel Tank Decal
 58473 Octane Decal "ULTRA" 1

352 Parts List

23		
----	--	--

