

HOWARD

352

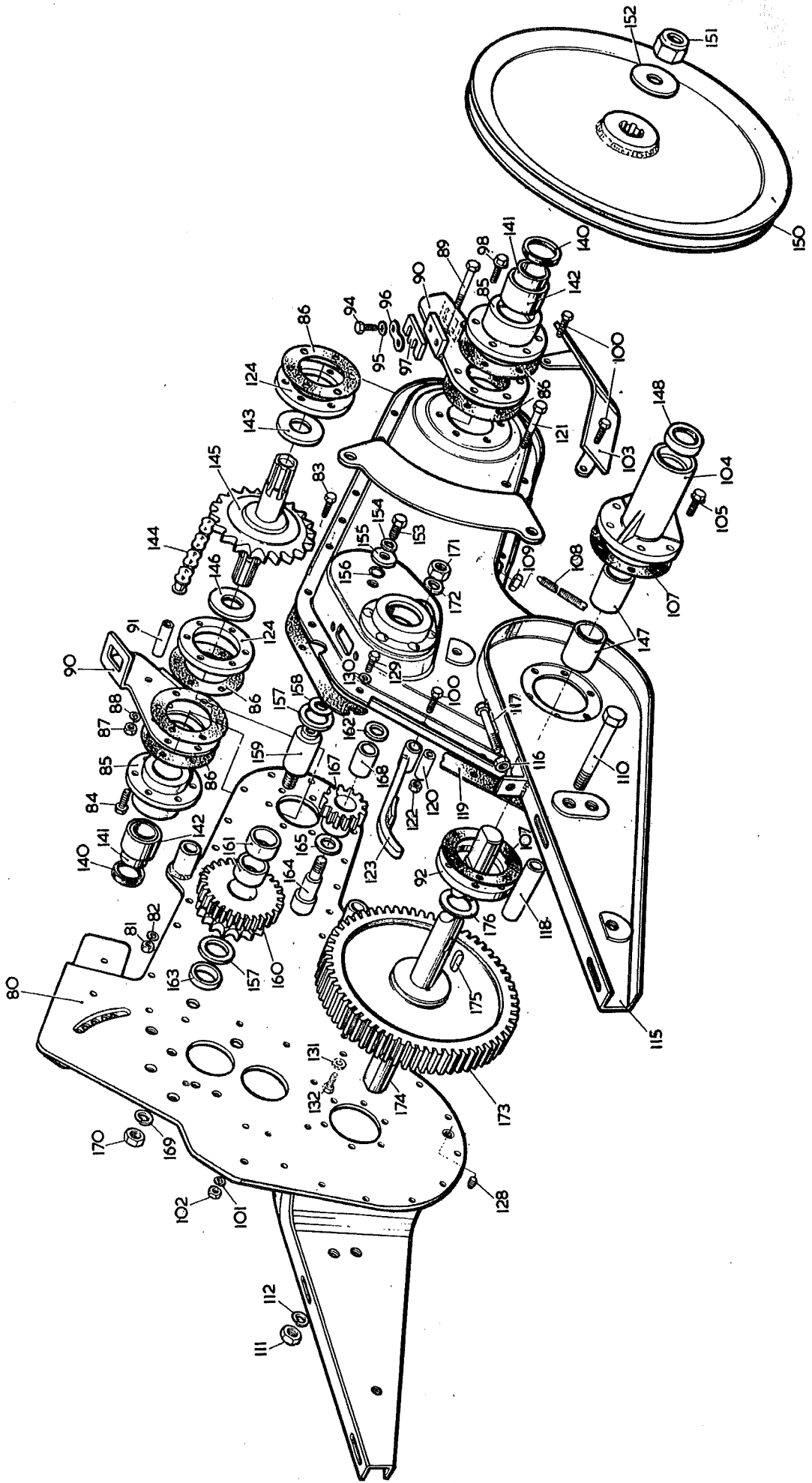
PARTS LIST

Illus. No.	Part Number	Description	No. off	Bin No.	Bulletin	Bin No.	Illus. No.	Part Number	Description	No. off	Bin No.	Bulletin	Bin No.
POWER UNIT													
1	58355	Power Unit including illus nos. 1-10, 17, 19-20	1										
2	58371	Engine Baseplate	1										
3	58360	Throttle lever and cable	1										
4	203001520	Engine - Briggs & Stratton 5hp I/C Series Model 131232	1										
5	207027180	Type 0111-01 (C/No. 260958)	2										
6	58422	Cable tie	4										
7	108051015	Flat washer 5/16" dia.	4										
8	108050945	Spring washer 5/16" dia.	8										
9	58426	Engine stud	4										
10	103902075	Setscrew cheese head 2BA x 7/8" long	2										
11	108020545	Spring washer 3/16" dia.	2										
12	101305060	Setscrew 5/16" UNC x 3/4"	2										
13	107205010	Nut 5/16" UNC	2										
14	108050940	Spring washer 5/16" dia.	2										
15	58391	Fairing support	1										
16	58394	Fairing moulding	1										
17	64443	Pivot bolt	1										
18	107205010	Nut 5/16" UNC	8										
19	107205065	Wing nut 5/16" UNC	1										
20	58357	Bumper including bracket	1										
	108051015	Flat washer 5/16" dia.	2										

Illus. No.	Part Number	Description	No. off	Bulletin	Bin No.
CLUTCH CONTROL ASSEMBLY					
—	58353	Clutch control assembly	1		
		Includes illus. nos. 21—75 inc.			
21	58386	Upper belt guide	1		
22	108040840	Spring washer 1/4" dia.	2		
23	108040910	Flat washer 1/4" dia.	2		
24	107204010	Full nut 1/4" UNC	2		
25	101404060	Setscrew 1/4" UNC x 3/4" long.	2		
26	58388	Engine bracket	1		
27	101205060	Setscrew 5/16" UNF x 3/4" long	2		
28	108050940	Spring washer 5/16" dia.	2		
29	58356	Engine pulley assembly	1		
		includes:—			
30	204065013	Taper lock bush (ref: 1210) — Late models	1		
30	204065011	Taper lock bush (ref: 1008) — Early models	1		
31	58427	Key	1		
32	58385	Lower belt guide	1		
33	101404060	Setscrew 1/4" UNC x 3/4" long	2		
34	107204010	Full nut 1/4" UNC	2		
35	108040910	Flat washer 1/4" dia.	2		
36	108040840	Spring washer 1/4" dia.	2		
37	58387	Cam plate	1		
38	58377	Cam pivot	1		
39	107208135	Selflock nut 1/2" UNC	1		
40	108081610	Flat washer 1/2" dia.	1		
41	58374	Arm	1		
42	108061140	Spring washer 3/8" dia.	2		
43	101406100	Setscrew 3/8" UNC x 1 1/4" long	2		
44	58378	Rod arm	1		
45	107208135	Selflock nut 1/2" UNC	1		
46	108081610	Flat washer 1/2" dia.	1		
47	251228081	Bearing 12 1/4 x 28 o/d x 8mm wide	1		
48	107206010	Full nut 3/8" UNC	1		
49	108061210	Flat washer 3/8" dia.	1		
50	108061140	Spring washer 3/8" dia.	1		
51	204065010	Flat idler pulley	1		
52	58398	Special bolt	1		
53	107206010	Full nut 3/8" UNC	1		
54	108061210	Flat washer 3/8" dia.	2		
55	108061140	Spring washer 3/8" dia.	1		
56	208010050	Split pin 1/16" dia x 5/8" long	1		
57	58424	Lower clutch rod	1		
58	107105020	Locknut 5/16" UNF	1		
59	108050940	Spring washer 5/16" dia.	1		
60	107105010	Full nut 5/16" UNF	1		

Howard 352 Parts List

BACKPLATE, CHAIN CASE,
WHEEL AND ROTOR DRIVE

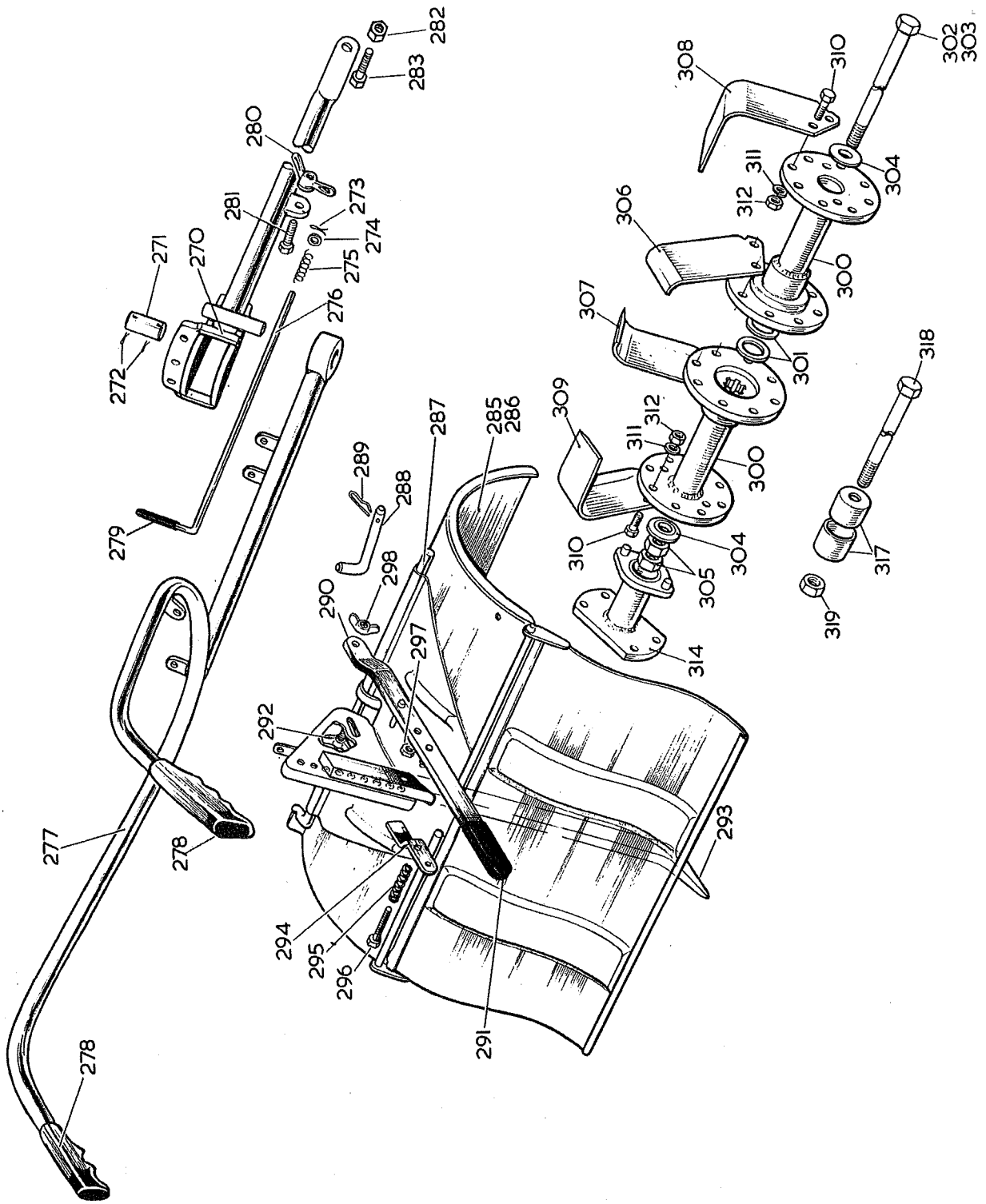


Illus. No.	Part Number	Description	No. off	Bulletin	Bin No.
BACKPLATE AND CHAIN CASE					
—	58351	Transmission Unit	1		
		Including illus. no. 80-124 & 128-252 inc.			
80	66592	Backplate	1		
81	107204010	Nut 1/4" UNC	22		
82	108040840	Spring washer 1/4" dia.	22		
83	101404060	Setscrew 1/4" UNC x 3/4" long	22		
84	134404060	Flange screw 1/4" UNC x 3/4"	6		
85	68714	Rotor bearing housing	2		
86	69371	Gasket - Rotor bearing housing	6		
87	107204010	Nut 1/4" UNC	1		
88	108040840	Spring washer 1/4" dia.	1		
89	101204160	Bolt 1/4" UNC x 2" long	1		
90	66638	Depth skid bracket	2		
91	64391	Skid bracket spacer	1		
92	69207	Mounting plate - axle bearing housing	2		
93	Not allocated				
94	101304050	Setscrew 1/4" UNF x 5/8" long	4		
95	108040830	Shakeproof washer 1/4" dia.	4		
96	830	Keeper plate	2		
97	64496	Weed cutter	2		
98	134404060	Flange screw 1/4" UNC x 3/4" long	6		
99	Not allocated				
100	101404070	Setscrew 1/4" UNC x 7/8" long	5		
101	108040840	Spring washer 1/4" dia.	5		
102	107204010	Nut 1/4" UNC	5		
103	65131	Chaincase skid	1		
104	64330	Axle bearing housing	2		
105	134404060	Flange screw 1/4" UNC x 3/4"	12		
106	Not allocated				
107	69370	Gasket - axle bearing housing	4		
108	67280	Adjuster screw	1		
109	107205020	Locknut 5/16" UNC	1		
110	101108280	Bolt 1/2" UNF x 3 1/2" long	1		
111	107108010	Nut 1/2" UNF	1		
112	108081440	Spring washer 1/2" dia.	1		
113	Not allocated				
114	Not allocated				
115	66593	Chainbox	1		
116	107206015	Nut 3/8" UNC	1		
117	64495	Adjusting bolt	1		
118	64392	Spacer	1		
119	64394	Chaincase gasket	2		
120	67281	Sleeve	1		
121	101105140	Bolt 5/16" UNF x 1 3/4" long	1		
122	107105030	Phillips nut 5/16" UNF	1		
123	67275	Chain tensioner	1		
124	69206	Mounting plate - rotor bearing housing	2		
125 - 127	Not allocated				
128	203031160	Plug 1/8" BSP square head	1		
129	101404040	Setscrew 1/4" UNC x 1/2" long	3		
WHEEL AND ROTOR DRIVE					
130	108040840	Spring washer 1/4" dia.	3		
131	25578	Fibre washer	1		
132	101404040	Setscrew 1/4" UNC x 1/2" long	1		
133-139	Not allocated				
140	261712023	Oilseal 1 3/16" i/d x 1 3/4" o/d x 3/16" thick	4		
141	252530382	Bearing - Inner race 25 x 30 x 38.5mm	2		
142	253037264	Needle bearing 30 x 37 x 26mm	2		
143	64367	Thrust washer	1		
144	64393	Chain - endless	1		
145	64364	Rotor drive shaft with sprocket	1		
146	64367	Thrust washer	1		
147	251011123	Wrapped bush 1" x 1 1/8" x 1 1/4" long	1		
148	261510041	Oilseal 1 1/2" i/d x 1" o/d x 3/8"	4		
149	Not allocated				
150	58361	Driven pulley	1		
151	107208175	Selflock nut 1/2" UNC	1		
152	209019295	Flat washer 1/2" i/d x 1 5/8" o/d x 0.116"	1		
153	101405040	Setscrew 5/16" UNC x 1/2" long	1		
154	108051030	Shakeproof washer 5/16" dia.	1		
155	65114	Washer	1		
156	202023140	'O' ring 7/16" i/d x 5/8" o/d x 0.103"	1		
157	67257	Thrust washer	2		
158	69946	Gasket	1		
159	67255	Drive sprocket spindle	1		
—	67251	Rotor drive sprocket Assy.	1		
		includes			
160	67252	Rotor drive sprocket	1		
161	251011053	Wrapped bush 1" i/d x 1 1/8" o/d x 1/2" long	2		
162	64317	Thrust washer	1		
163	67256	Spacer	1		
164	67250	Idler pinion shaft	1		
165	64320	Gear spacer	1		
166	Not allocated				
—	67248	Rotor idler gear Assy.	1		
		includes			
167	67249	Rotor idler gear	1		
168	250709103	Wrapped bush 3/4" i/d x 7/8" o/d x 1" long	1		
169	108081440	Spring washer 1/2" dia.	1		
170	107208010	Nut 1/2" UNC	1		
171	107207010	Nut 7/16" UNC	1		
172	108071240	Spring washer 7/16" dia.	1		
—	64342	Wheel axle sub Assy.	1		
		includes			
173	64343	Bull gear	1		
174	64344	Axle	1		
175	64497	Key	2		
176	14224	Wearing washer	2		
177-179	Not allocated				

Illus. No.	Part Number	Description	No. off	Bin No.	Bulletin
		GEARBOX			
		Gearbox sub assy including illus. nos. 180-252 inc. except parts marked *			
180	64315	Drive shaft	1		
181	261511021	*Oilseal 1 1/2" x 1 1/4" x 1 1/4"	1		
182	250720071	*Bearing 3/4" i/d x 2" o/d x 1 1/16" wide	1		
183	64316	Selector gear - Rotor	1		
184	64320	Gear spacer	1		
		Intermediate drive gear assy. includes:-			
185	250709073	Wrapped bush 3/4" i/d x 7/8" o/d x 3/4" long	2		
186	64361	Drive gear	1		
187	64319	Drive shaft gear 27T	1		
188	64317	Thrust washer	1		
189	64321	Drive shaft gear 13T	1		
190	64395	*Gearbox gasket	1		
191	64308	Gearbox	1		
192	250616041	Bearing 5/8" i/d x 1 1/16" o/d x 7/16" wide	1		
193	64459	Gasket	1		
194	64352	Bearing and slide bar cover	1		
195	108040840	Spring washer 1/4" dia.	4		
196	101404040	Setscrew 1/4" UNC x 1/2" long	4		
197	107206020	*Nut 3/8" UNC	1		
198	108061140	Spring washer 3/8" dia.	1		
199	108061210	Flat washer 3/8" dia.	2		
200	116404040	*Setscrew 1/4" UNC x 1/2" long - Phillips	6		
201	108040830	*Shakeproof washer 1/4" dia.	6		
202	107206020	Nut 3/8" UNC	2		
203	67264	Thrust washer	1		
		Final drive pinion assy includes			
204	67260	Final drive pinion	1		
205	250607063	Wrapped bush 5/8" i/d x 23/32" o/d x 5/8" long	2		
206	67261	Final drive pinion	1		
207	67262	Gear spacer	1		
		Cluster gear assy includes			
208	67258	Cluster gear	1		
209	67259	Cluster gear	1		
210	250607063	Wrapped bush 5/8" x i/d x 23/32" o/d x 5/8" long	2		
211	67495	Shim (0.015")	1		
212	67494	Shim (0.010")	1		
213	67263	Intermediate shaft	1		
214	202029040	Washer 1/2" BSP	1		
215	66274	Plug	1		
216	66193	Gearbox Breather assy. includes	1		
217	10580	Washer	1		
218	8312	Brass union	1		
219	23646	Gauze filter	2		
220	66195	Breather pad	1		
221	202041020	Nut 1/4" BSP	1		
222	143405030	*Setscrew 5/16" UNC x 3/8" long shallow csk. hd.	3		
223	64334	Reverse spindle	1		
		Reverse gear assy. includes			
224	64362	Reverse gear	1		
225	64363	Reverse gear	1		
226	250607103	Wrapped bush 5/8" i/d x 23/32" o/d x 1" long	1		
227	64322	Travel selector	1		
228	64325	Travel selector slide bar	1		
229	250001801	Ball 3/16" dia.	1		
230	64471	Spring	1		
231	208010040	Split pin 1/16" dia. x 1/2" long	1		
232	64323	Reverse selector	1		
233	64324	Reverse selector slide bar	1		
234	64472	Reverse selector spring	1		
235	58237	Overrun stop sleeve	1		
236	58231	*Cover gasket (.030")	1		
237	58239	*Cover gasket (0.10")	1		
238	66356	*Gearbox cover (including selectors)	1		
239	103404050	Setscrew 1/4" UNC x 5/8" long, cheese head	2		
240	65750	*Selector gate	2		
241	106404060	Cap screw 1/4" UNC x 3/4" long	2		
242	108040840	Spring washer 1/4" dia.	4		
243	68792	Rotor selector control assy. including	1		
244	64390	Rotor selector	1		
245	208010040	Split pin 1/16" dia. x 1/2" long	4		
246	108040910	Flat washer 1/4" dia.	1		
247	65499	Gasket	1		
248	68793	Rotor selector	1		
249	68910	Trunnion	1		
250	58236	Selector gate rivet assy. with	1		
251	68798	Selector gate	1		
252	58235	Indicator plate	1		
253	208032060	Rivet 1/8" dia. x 0.23" long	1		
254	20545	Trunnion block	1		
255	68909	Rotor selector spring	1		
256	68795	Rotor selector rod	1		
257	58217	Rotor control rod - Not applicable when reverse lock 58209 is fitted	1		
258	101404040	Setscrew 1/4" UNC x 1/2" long	2		
259	101404060	Setscrew 1/4" UNC x 3/4" long	2		
260	65507	Lower control rod	1		
261	65439	Control rod bracket	1		
262	69183	Upper control rod	1		
263	65506	Gear control trunnion	1		
264	208010050	Split pin 1/16" dia. x 3/8" long	2		
265	108051015	Flat washer 5/16" dia.	2		
266	108050950	Spring washer 5/16" dia. double coil	1		
267	101304080	Setscrew 1/4" UNF x 1" long	1		
268	108040840	Spring washer 1/4" dia.	1		
269	107104010	Nut 1/4" UNF	1		
270	107204010	Nut 1/4" UNC	2		
271	108040840	Spring washer 1/4" dia.	4		
272	Not allocated	Sleeve - rotor control rod	1		
273	207001290	Sleeve - upper control rod (gear selection)	1		
274	207001300	Sleeve - upper control rod (gear selection)	1		

Howard 352 Parts List

HANDLEBAR, ROTOR AND ROTOR SHIELD

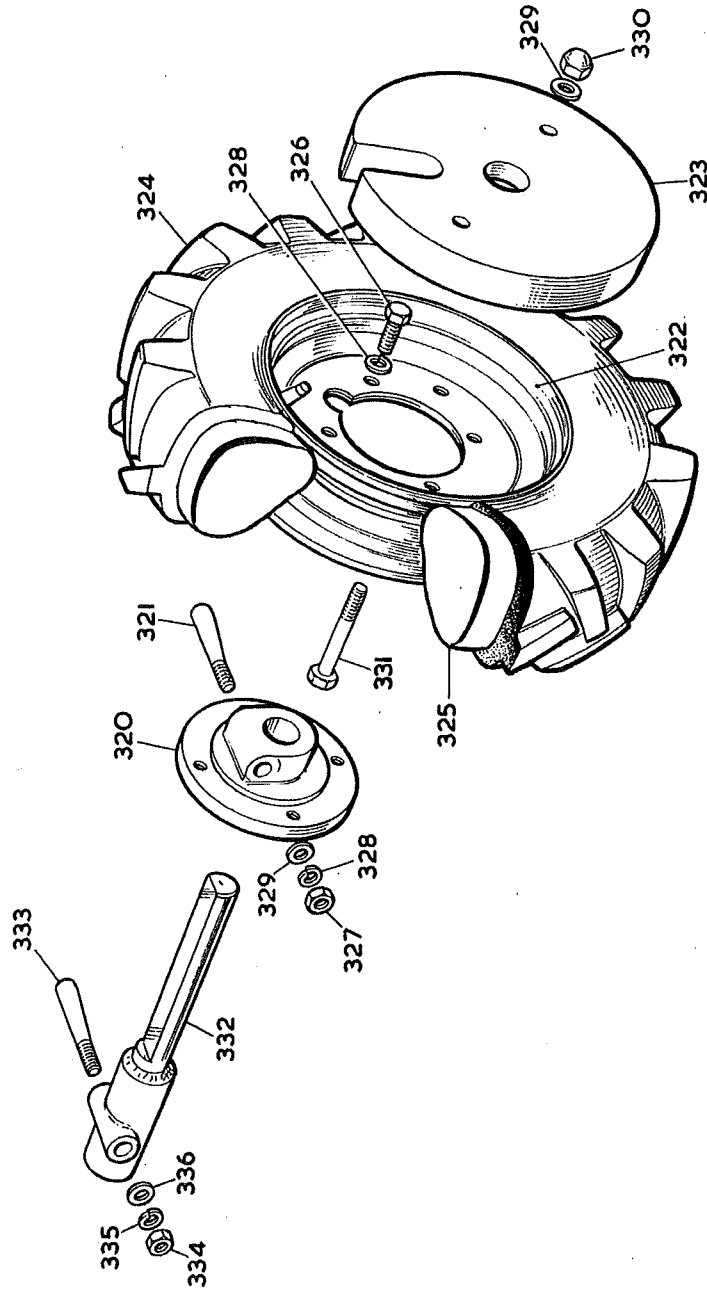
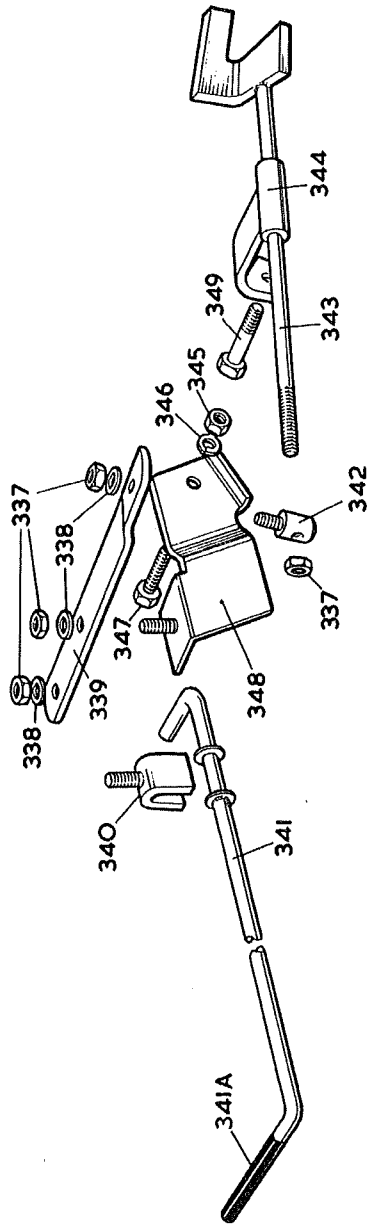


Illus. No.	Part Number	Description	No. off	Bin No.	Bulletin
HANDLEBAR ASSEMBLY					
—	58354	Swinging handlebar assy. includes illus. nos. 270-277 inc. together with illus. nos. 255-259	1		
270	58366	Handlebar mounting	1		
271	65433	Pin	1		
272	208010200	Split pin 1/8" dia. x 1" long	2		
273	208010130	Split pin 3/32" dia x 3/4" long	1		
274	108061210	Flat washer 3/8" dia.	1		
275	58234	Spring	1		
276	65430	Release handle	1		
277	58364	Handlebar stem	1		
278	207001350	Pistol grip	2		
279	207001310	Sleeve — Handlebar release handle	1		
280	207001930	Wingnut 3/8" UNF	1		
281	101306100	Bolt 3/8" UNF x 1 1/4" long	1		
282	107106030	Selflock nut-3/8" UNF	1		
283	101306080	Bolt 3/8" UNF x 1" long	1		
284	Not allocated				
ROTOR AND ROTOR SHIELD					
—	64303	Rotor Unit including illus. nos. 285-314 inc.	1		
285	64431	Rotor shield 16"	1		
286	64455	Rotor shield 23"	1		
287	64439	Shield securing pin	1		
288	67284	Shield securing pin	1		
289	67285	Clip pin	1		
290	64440	Depth control handle	1		
291	207001280	Sleeve — depth control handle	1		
292	64443	Depth control handle pivot bolt	1		
293	64446	Depth skid	1		
294	64445	Spring clip	1		
295	20470	Spring	1		
296	101204120	Bolt 1/4" UNC x 1 1/2" long	1		
297	107204010	Nut 1/4" UNC	1		
298	107205060	Wing nut 5/16" UNC	1		
299	Not allocated				
300	64420	Rotor	2		
301	64429	Rotor spacer	As req'd.		
302	64427	Rotor draw bolt — 16"	1		
303	64450	Rotor draw bolt — 23"	1		
304	64430	Draw bolt washer	2		
305	107210020	Locknut 5/8" UNC	2		

Illus. No.	Part Number	Description	No. off 16" & 23"	No. off 16" only	No. off 23" only	Bulletin	Bin No.
306	64486	Centre blade L.H.	2				
307	64485	Centre blade R.H.	2				
308	9896	Blade L.H.	—	4	6		
309	9897	Blade R.H.	—	4	6		
—	14144	Blade bolt assy pack of 10 (2/blade) includes	As req'd.				
310	9846	Special bolt	—	24	32		
311	108050940	Spring washer 5/16" dia.	—	24	32		
312	107105010	Nut 5/16" UNF	—	24	32		
313	Not allocated						
314	64451	Rotor extension	—	—	2		
315	Not allocated						
—	59917	Rotor extension kit (to convert 16" to 23") includes					
286	64455	Rotor shield 23"	—	—	1		
303	64450	Rotor draw bolt — 23"	—	—	1		
308	9896	Blade L.H.	—	—	2		
309	9897	Blade R.H.	—	—	2		
314	64451	Rotor extension	—	—	2		
310-312 inc	14144	Blade bolt assy. pack of 10 (2/blade)	—	—	1 pack		
316	58423	Dust cap kit (used when rotors removed) includes	—	—	2		
317	65475	Dust cap	—	—	1		
318	65476	Drawbolt	—	—	1		
319	107105035	Self lock nut 5/16" UNF	—	—	1		

Howard 352 Parts List

WHEELS UNIT AND REVERSE LOCK ASSEMBLY

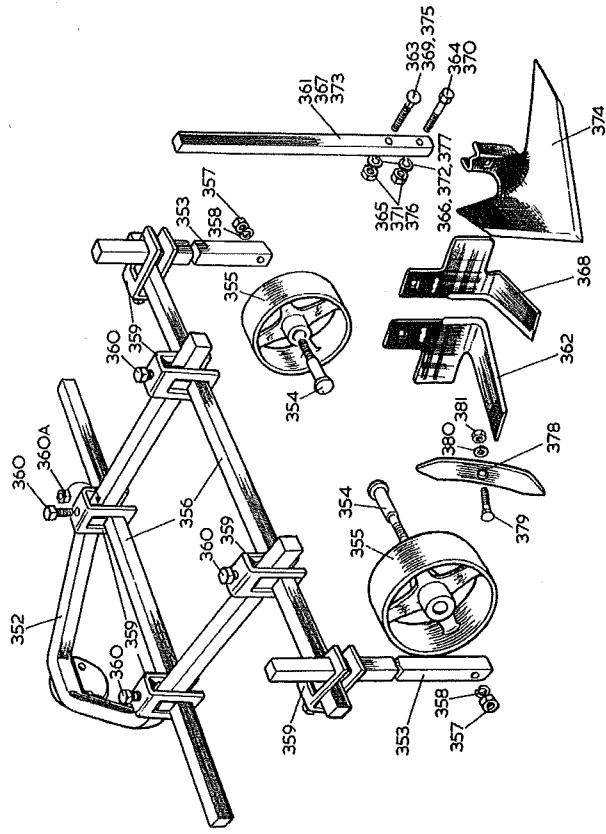


Illus. No.	Part Number	Description	No. off	Bin No.	Bulletin	Bin No.
WHEELS UNIT						
—	58400	Wheels Unit	1			
		including				
320	64465	Wheel hub	2			
321	64466	Cotter pin	2			
322	64467	Wheel rim	2			
323	58408	Wheel weight	2			
324	209001360	Tyre 4.00 x 8" 2-ply Tractor	2			
325	209001370	Tube 4.00 x 8"	2			
326	101406065	Setscrew 3/8" UNC x 3/4"	8			
327	107106010	Nut 3/8" UNF	2			
328	108061145	Spring washer 3/8" dia.	10			
329	108061210	Flat washer 3/8" dia.	6			
330	107106490	Domed nut 3/8" UNF	4			
331	101106220	Bolt 3/8" UNF x 2 3/4" long	4			
—	64484	Extension axle Assy.	2			
		includes				
332	64481	Extension axle	1			
333	64466	Cotter pin	1			
334	107106010	Nut 3/8" UNF	1			
335	108061140	Spring washer 3/8" dia.	1			
336	108061210	Flat washer 3/8" dia.	1			
REVERSE LOCK ASSEMBLY						
—	58208	Reverse Lock Assy.	1			
		including				
337	107204030	Locknut 1/4" UNC	4			
338	108040510	Flat washer 1/4" dia.	3			
339	58215	Lever	1			
340	58218	Clevis	1			
341	58217	Rotor control rod	1			
341A	207001290	Sleeve — rotor control rod	1			
342	58216	Trunnion	1			
343	58229	Wedge	1			
344	58210	Tube	1			
345	107204010	Nut 1/4" UNC	1			
346	108040840	Spring washer 1/4" dia.	1			
347	101404070	Screw 1/4" UNC x 7/8" long	1			
348	58230	Support Bracket	1			
349	101204120	Screw 1/4" UNC x 1 1/2" long	1			

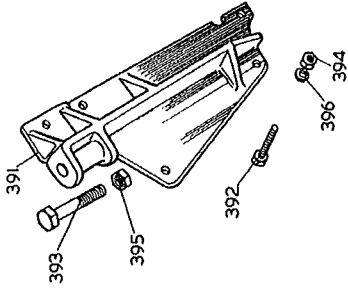
Howard 352 Parts List

854	1	09.82	20
-----	---	-------	----

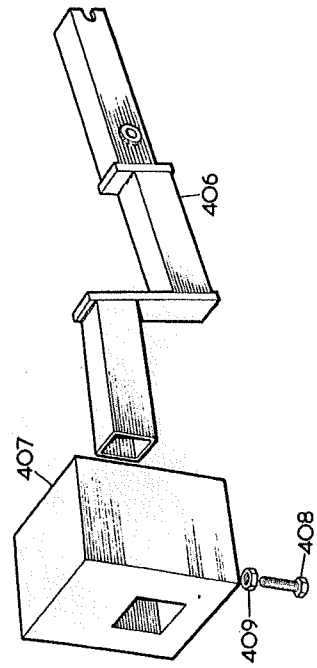
TOOLBAR UNIT



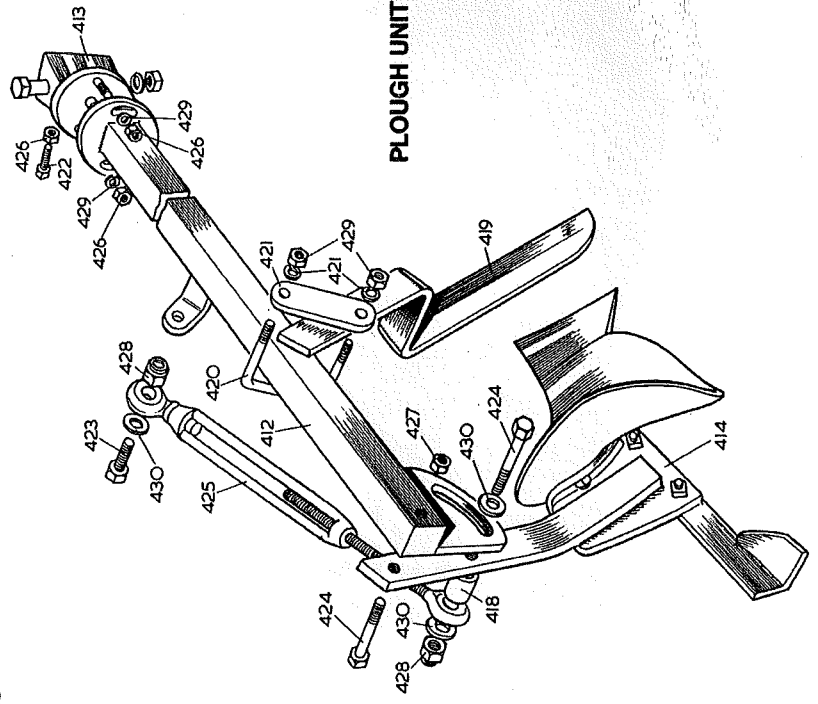
PLOUGH OR TRAILER HITCH BRACKET ASSEMBLY



FRONT WEIGHT ASSEMBLY



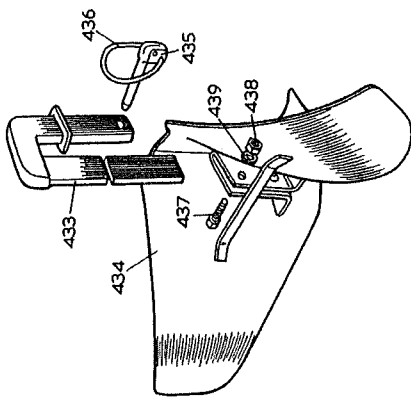
PLOUGH UNIT



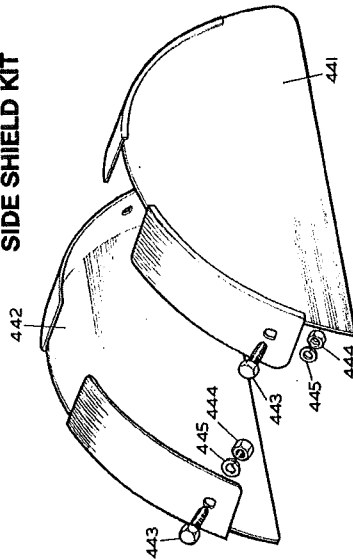
Illus. No.	Part Number	Description	No. off	Bulletin	Bin No.
TOOLBAR UNIT					
58415		Toolbar Unit	1		
		Includes illus. no. 350-390 inc.			
350	58409	Front Toolbar adaptor	1		
351	67589	Rear Toolbar adaptor	1		
69189		Toolframe and tools assy.	1		
69190		Tool frame assy.	1		
		including			
69195		Arms & flange	1		
69191		Wheel stalk	2		
69192		Wheel spindle	2		
69193		Wheel	2		
355		Crossbar	2		
356	69194		2		
357	107506010	Nut 3/8" BSF	2		
358	108061140	Spring washer 3/8" dia.	2		
	17314	Clamp assy.	11		
		including			
359	17312	Clamp	1		
360	101308090	Setscrew 1/2" UNF x 1 1/2" long	1		
360A	107108010	Nut 1/2" UNF	1		
	69198	Hoe & Stalk Assy	1		
		includes			
	69200	Pistol Hoe & Stalk Assy. R.H.	2		
		includes			
361	69209	Stalk	1		
362	69187	Pistol Hoe R.H.	1		
363	105205110	Bolt cup sq. 5/16" UNC x 1 3/8" long	1		
364	101205110	Bolt 5/16" UNC x 1 3/8" long	1		
365	107205010	Nut 5/16" UNC	2		
366	108050940	Spring washer 5/16" dia.	2		
	69201	Pistol Hoe and Stalk Assy. L.H.	2		
		includes			
367	69209	Stalk	1		
368	69188	Pistol Hoe L.H.	1		
369	105205110	Bolt cup sq. 5/16" UNC x 1 3/8" long	1		
370	101205110	Bolt 5/16" UNC x 1 3/8" long	1		
371	107205010	Nut 5/16" UNC	2		
372	108050940	Spring washer 5/16" dia.	2		
	69202	Duck - foot hoe and stalk assy.	1		
		includes			
373	69185	Stalk	1		
374	68765	Duck-foot hoe	1		
375	105206110	Bolt cup sq. 5/8" UNC x 1 3/8" long	1		
376	107206010	Nut 3/8" UNC	1		
377	108061140	Spring washer 3/8" dia.	1		
378	209026290	Point 1 1/4"	4		
379	208055025	Oval csk. sq. neck bolt 3/8" UNF x 1 3/4" long	4		
380	108061145	Spring washer 3/8" dia.	4		
381	107106015	Nut 3/8" UNF	4		
382	67592	Securing pin	1		
383	7059	Clip pin	1		
384	7060	Clip ring	1		
TOOLBAR UNIT					
385	101406100	Setscrew 3/8" UNC x 1 1/4" long	2		
386	207001930	Wing nut 3/8" UNF	1		
387	108061140	Spring washer 3/8" dia.	2		
	64468	Retaining pin assy. includes	1		
	64469	Pin	1		
	30869	Spring	1		
	208010130	Split pin 3/32" dia x 3/4"	1		
PLOUGH OR TRAILER HITCH BRACKET ASSEMBLY					
	66296	Plough or trailer hitch bracket assy includes*	1		
	65517	Trailer hitch	1		
391	101404070	Setscrew 1/4" UNC x 7/8" long	5		
392	101110320	Bolt 5/8" UNF x 4" long	1		
393	107204010	Nut 1/4" UNC	5		
394	10710010	Nut 5/8" UNF	1		
395	10710010	Spring Washer 1/4" dia.	5		
396	108040840	*In addition use 1 1/4" x 5/8" setscrew, washer and nut from those removed from chaincase.			
	397-405	Not allocated			
FRONT WEIGHT ASSEMBLY					
	58416	Front weight assy. includes illus. nos. 388-390 together with -	1		
	58417	Front weight beam	1		
406	66185	Weight	1		
407	101406140	Setscrew 3/8" UNC x 1 3/4" long	1		
408	107206020	Locknut 3/8" UNC	1		
409			1		
410 & 411		Not allocated			
PLOUGH UNIT					
	66326	Plough Unit	1		
		includes			
412	66327	Plough beam	1		
413	66332	Plough pivot bracket	1		
414	66339	Plough body assy complete	1		
415-417		Not allocated			
418	10317	Boss	1		
419	66341	Coultter	1		
420	66342	'U' Bolt	1		
421	66343	Clamp plate	1		
422	101406120	Setscrew 3/8" UNC x 1 1/2" long	1		
423	101208140	Bolt 1/2" UNC x 1 3/4" long	1		
424	101408220	Setscrew 1/2" UNC x 2 3/4" long	2		
425	208007230	Straining screw	1		
426	107206010	Plain nut 3/8" UNC	5		
427	107208020	Locknut 1/2" UNC	1		
428	107208030	Phillidas nut 1/2" UNC	2		
429	108061140	Spring washer 3/8" dia.	4		
430	108081610	Flat washer 1/2" dia.	3		
	431 & 432	Not allocated			

Howard 352 Parts List

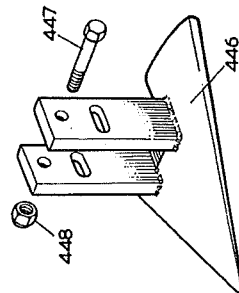
FURROWER ASSEMBLY



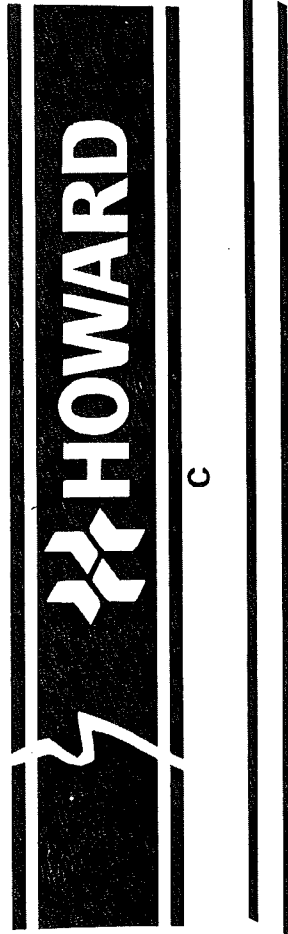
SIDE SHIELD KIT



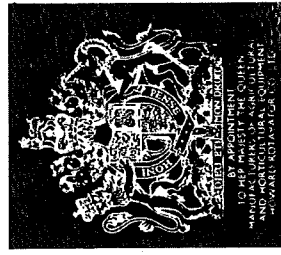
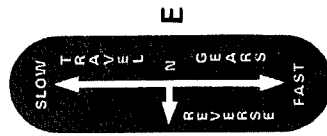
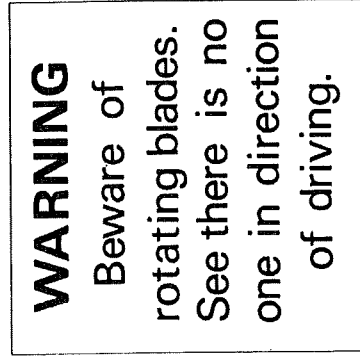
SKID TINE ASSEMBLY



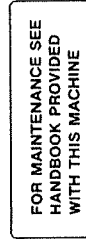
LABELS - 451



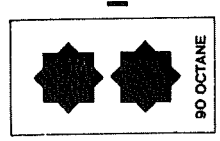
D



H



F



I

Illus. Part Number	Description	No. off	Bulletin	Bin No.
FURROWER ASSEMBLY				
65946	Furrower assy	1		
	Includes			
433	Furrower bracket	1		
434	Furrower	1		
435	Clip pin	1		
436	Clip ring	1		
437	Setscrew 5/16" UNC x 1" long	1		
438	Nut 5/16" UNC	1		
439	Spring washer 5/16" dia.	1		
440	Not allocated			
SIDE SHIELD KIT				
59918	Side shield kit (Standard on Scandinavian machines)	1		
	Includes			
441	Side shield L.H.	1		
442	Side shield R.H.	1		
443	Setscrew 5/16" UNC x 5/8"	4		
444	Nut 5/16" UNC	4		
445	Spring washer 5/16" dia.	4		
SKID TINE ASSEMBLY				
68647	Skid tine assy	1		
	Includes			
446	Skid tine	1		
447	Bolt 5/16" UNC x 1 1/2" long	2		
448	Phillidas nut 5/16" UNC	2		
449-450 Not allocated				

Illus. Part Number	Description	No. off	Bulletin	Bin No.
LABELS				
451 A	H Label	1		
B	352 Label	1		
C	HOWARD Decal	1		
D	Stripe Decal	1		
E	Gear Selection Label	1		
F	Maintenance Label	1		
G	Warning Label (English)	1		
H	Royal Appointment Arms.	1		
I	Octane Decal	1		
NI	Engine Decal	1		
NI	Machine number plate	1		
NI	Drive screw No.2	4		

Part No.	Illus. or Item No.	Bin No.	Part No.	Illus. or Item No.	Bin No.	Part No.	Illus. or Item No.	Bin No.	Part No.	Illus. or Item No.	Bin No.	Part No.	Illus. or Item No.	Bin No.	Part No.	Illus. or Item No.	Bin No.		
830	96		58371	1		64322	224		64484	332		67260	204		101106220	331		107105020	58
7059	383		58374	41		64323	229		64485	307		67261	205		101108280	110		107105030	68
7059	435		58377	38		64324	230		64486	306		67262	207		101110320	393		107105035	122
7060	384		58378	44		64325	225		64486	117		67263	212		101204120	349		107106010	319
7060	436		58381	69		64326	451E		64496	97		67264	203		101204120	296		107106010	327
8312	216		58382	66		64330	104		65114	155		67275	123		101204130	72		107106010	334
9846	310		58384	67		64334	221		65131	103		67280	108		101204160	89		107106015	381
9896	308		58385	32		64342	173		65170	441		67281	120		101205060	27		107106030	282
9897	309		58386	21		64343	173		65171	442		67284	288		101205110	364		107106490	330
10317	418		58387	37		64344	174		65430	276		67285	289		101205110	370		107108010	111
10580	215		58388	26		64352	194		65433	271		67492	240		101205120	447		107108010	360A
14136	434		58389	29		64361	186		65439	211		67494	240		101206300	63		107110010	395
14144	310		58390	70		64362	222		65475	317		67495	210		101208140	423		107204010	24
14224	176		58391	14		64363	222		65476	351		67589	351		101304050	94		107204010	34
17312	359		58394	15		64364	145		65478	433		67592	382		101304080	262		107204010	81
17314	359		58395	451A		64367	143		65499	243		68488	446		101305060	11		107204010	87
20470	295		58396	451B		64367	146		65506	258		68647	446		101306080	283		107204010	102
20545	249		58397	451C		64379	234		65507	255		68714	85		101306100	281		107204010	265
23646	217		58398	52		64390	240		65517	391		68765	374		101308090	360		107204010	297
25578	131		58399	451D		64391	91		68792	240		68795	251		101404040	129		107204010	345
27409	451G		58400	320		64392	118		68795	251		68795	251		101404040	132		107204010	394
30869	125		58402	451H		64393	144		66185	244		68793	244		101404040	196		107204030	74
58197	N.I.		58403	451		64394	119		66193	215		68798	246		101404040	253		107204030	337
58210	344		58408	323		64395	190		66195	218		68909	250		101404060	25		107205010	12
58215	339		58409	350		64420	300		66274	214		68910	245		101404060	33		107205010	17
58216	342		58415	350		64427	302		66296	391		69183	257		101404060	83		107205010	365
58217	252		58416	406		64429	301		66326	412		69185	373		101404060	254		107205010	371
58218	340		58417	406		64430	304		66327	362		69187	362		101404070	100		107205010	438
58219	341		58421	451I		64431	285		66332	413		69188	368		101404070	347		107205020	109
58220	343		58422	5		64439	287		66339	352		69190	352		101405040	153		107205060	298
58229	348		58423	317		64440	290		66341	419		69191	353		101405040	443		107205065	18
58231	233		58424	57		64443	16		66342	420		69192	354		101405080	437		107205130	448
58234	275		58426	8		64443	292		66343	421		69192	354		101406065	326		107206010	48
58235	247		58427	31		64445	294		66356	355		69193	355		101406100	43		107206010	53
58236	246		59917	286		64446	293		66414	451F		69194	356		101406100	43		107206010	376
58237	232		59918	441		64450	303		66592	80		69195	352		101406120	422		107206010	426
58351	80		64303	285		64451	314		66593	361		69198	361		101406140	408		107206015	116
58353	21		64307	180		64455	286		66638	90		69200	361		101408220	424		107206020	197
58354	270		64308	191		64459	193		67248	167		69201	367		103902075	9		107206020	202
58355	1		64315	180		64465	320		67249	167		69202	373		103404050	236		107206020	409
58356	29		64316	183		64466	321		69206	124		69206	124		105205110	363		107206020	48
58357	19		64317	162		64466	333		69207	92		69207	92		105205110	363		107206175	64
58360	2		64317	188		64467	322		69209	361		69209	361		105205110	369		107207010	171
58361	150		64318	185		64468	388		69209	367		69209	367		105206110	375		107208010	170
58364	277		64319	187		64469	389		69370	107		69370	107		106404060	238		107208020	427
58366	270		64320	165		64471	227		69371	86		69371	86		107104010	264		107208030	428
58368	75		64321	189		64472	231		69946	158		69946	158		107105010	312		107208135	39
			64321	189		64481	332		67259	208		67259	208		101105140	121		107208135	45

Part No.	Illus. or Item No.	Bin No.	Part No.	Illus. or Item No.	Bin No.	Part No.	Illus. or Item No.	Bin No.	Part No.	Illus. or Item No.	Bin No.	Part No.	Illus. or Item No.	Bin No.
107208175	151													
107210020	305													
107506010	357													
108020545	10													
108040510	338													
108040840	22													
108040840	36													
108040830	95													
108040830	201													
108040840	82													
108040840	88													
108040840	101													
108040840	130													
108040840	195													
108040840	239													
108040840	266													
108040840	263													
108040840	346													
108040840	396													
108040910	23													
108040910	35													
108040910	73													
108040910	242													
108050940	13													
108050940	28													
108050940	59													
108050940	311													
108050940	366													
108050940	439													
108050940	445													
108050940	366													
108050945	7													
108050950	261													
108051010	77													
108051015	6													
108051015	20													
108051015	260													
108051030	154													
108061140	42													
108061140	50													
108061140	55													
108061140	198													
108061140	335													
108061140	358													
108061140	377													
108061140	387													
108061140	335													
108061140	429													
108061145	328													
108061145	380													
108061210	49													
108061210	54													
108061210	65													
108061210	199													
108061210	274													
108061210	329													
108061210	336													
108071240	172													
108081440	112													
108081440	169													
108081610	40													
108081610	46													
108081610	430													
116404040	200													
134404060	84													
134404060	98													
134404060	105													
143405030	220													
202023140	156													
202029040	213													
202041020	219													
203001520	3													
203031160	128													
204050320	76													
204065010	51													
204065011	30													
207001280	291													
207001290	268													
207001290	341A													
207001300	269													
108081610	279													
207001350	278													
207001930	280													
207001930	386													
207004370	61													
207027180	4													
208007230	425													
208010040	71													
208010040	228													
208010040	241													
208010050	56													
208010050	62													
208010050	259													
208010130	390													
208010130	273													
208010200	272													
208032020	N.I.													
208032060	248													
208041090	451													
208055025	379													
209001360	324													
209001370	325													
209019295	152													
209026290	378													
250001801	226													
250607063	204													
250607063	209													
250607103	223													
250616041	192													
250709073	185													
250709103	168													
250720071	182													
251011053	161													
251011123	147													
251228081	47													
252530382	141													
253037264	142													
261510041	148													
261511021	181													
261712023	140													

Following Howard policy of continuous improvement, the Company reserves the right to amend model specifications and prices at any time without notice.

Part No. 209005165

Printed in England
Copyright Howard Rotavator Co. Ltd.
February 1984 ® Registered Trade Marks Form No. 864 - 2

Mendham Lane, Harleston,
Norfolk IP20 9DP England
Telephone Harleston (0379) 853221
Telex 975487

A member of the Howard group
Howard Rotavator Co. Ltd.

 **HOWARD**